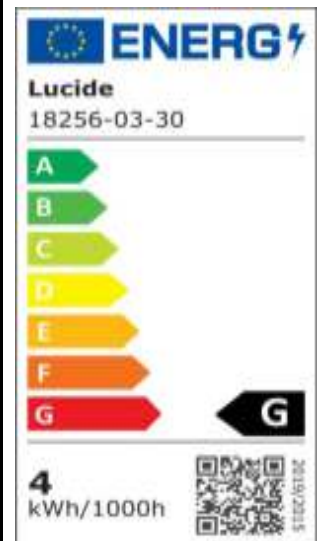


LUCIDE



## General

**Dimensions LxW xH:** 11,5cm x 5,5cm x 53,5cm  
**Main material:** Synthetic Material  
**Color:** Black  
**Style:** Modern  
**Shape:** Cone  
**Weight:** 1,10kg  
**Warranty:** 3 Years

## Specifications

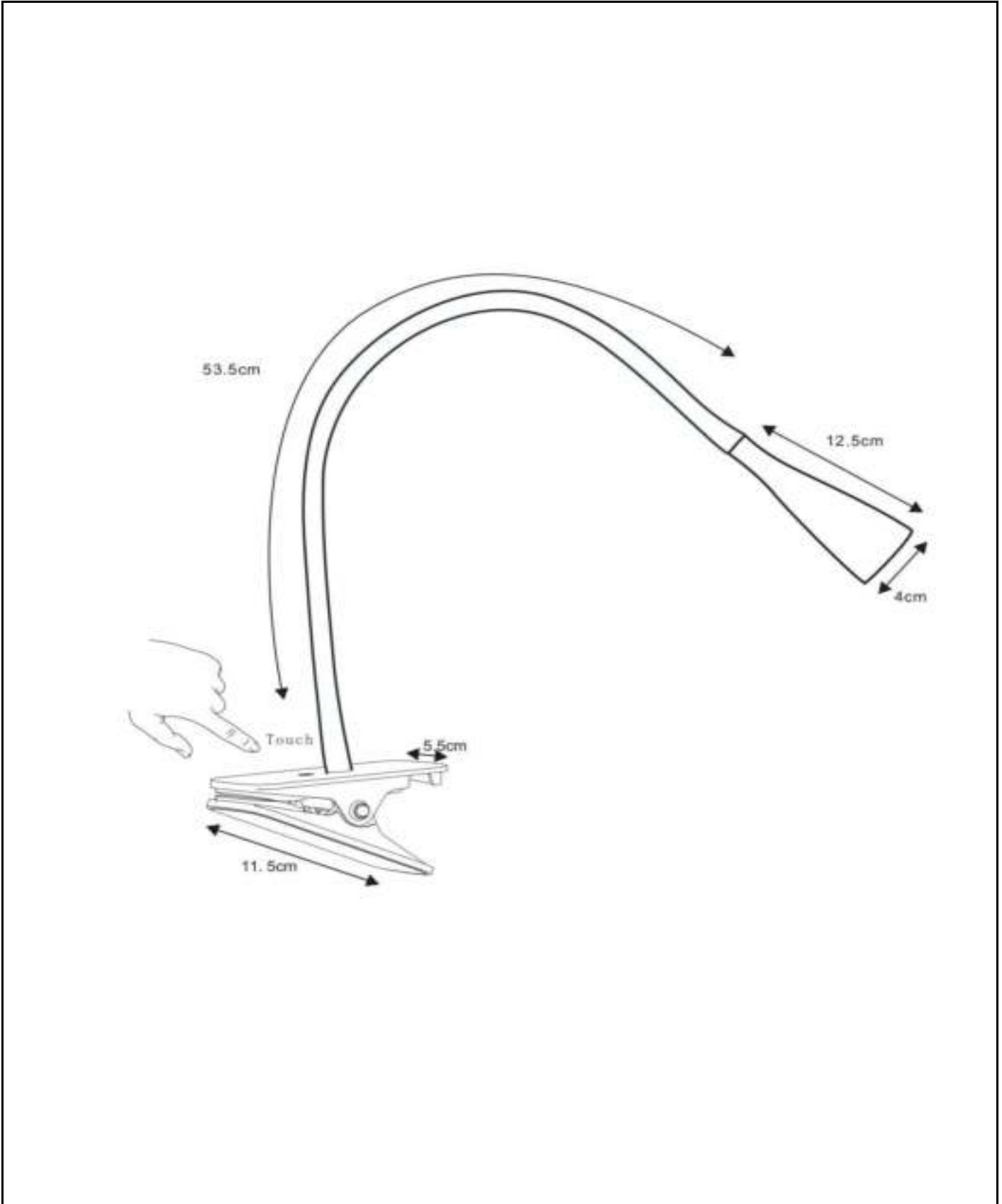
**Dimmable:** Yes  
**Light direction:** Around (Diffuse)  
**Adjustable in height:** Adjustable In Height (After Installation)  
**Directional:** With Flexible Reading Arm  
**Cable:** Yes, Cable With Plug On Product  
**Cable length:** 180cm  
**Sensor:** Without Sensor  
**Control:** Touch Dimmer - On The Product  
**Power supply:** Adapter/Power Grid  
**IP-Class:** 20  
**Electric Class:** 3  
**Number of light sources:** 1  
**Lamp socket:** Integrated LED  
**Wattage:** 1x 4W  
**Power requirements:** 220-240V~50 Hz  
**Lumen:** 1x 250 Lm  
**Colour temperature:** 3000K  
**Beam angle (if directional):** 120°  
**Color Rendering Index:** 80  
**Expected lifetime:** 25000h

For more specifications of this product please visit  
[www.lucide.com](http://www.lucide.com)



# ZOZY

Item number: 18256/03/30  
EAN code: 54 112 12185839



For more specifications or dimensions of this product please visit [www.lucide.com](http://www.lucide.com)