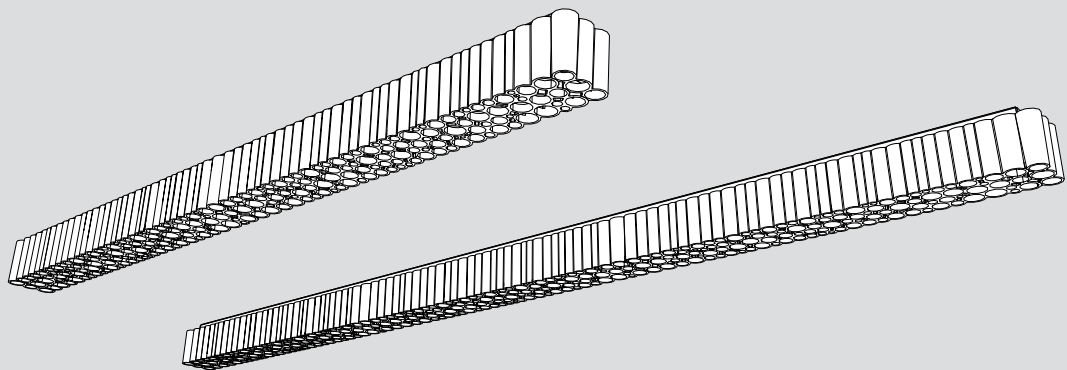


Artemide®

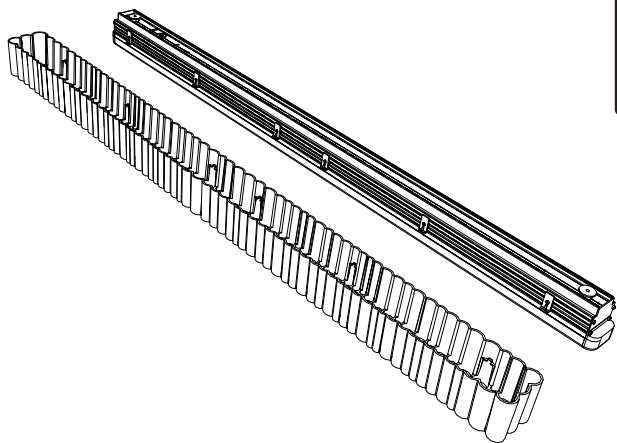
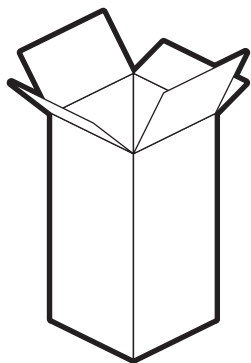
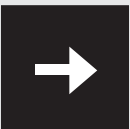
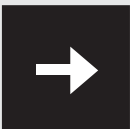
Calipso

design
Neil Poulton

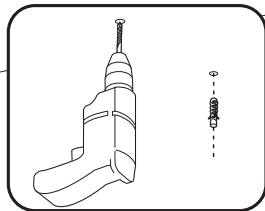
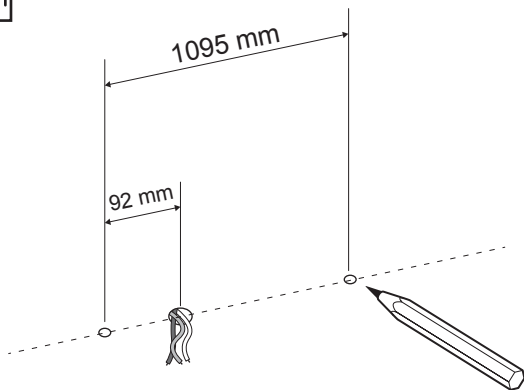




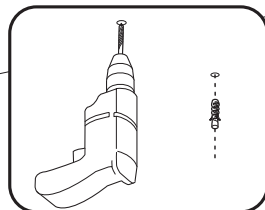
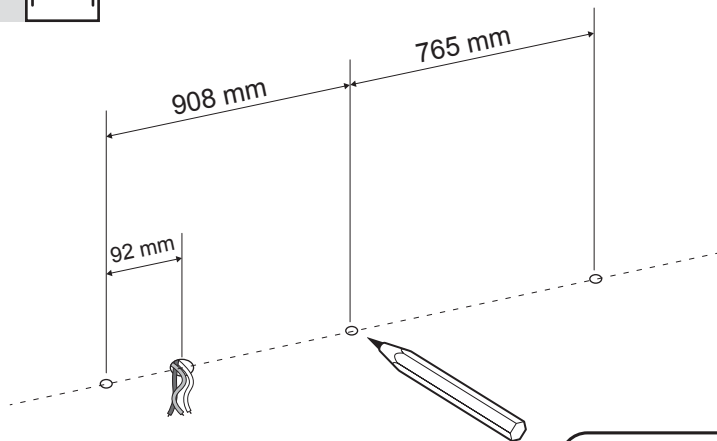
i

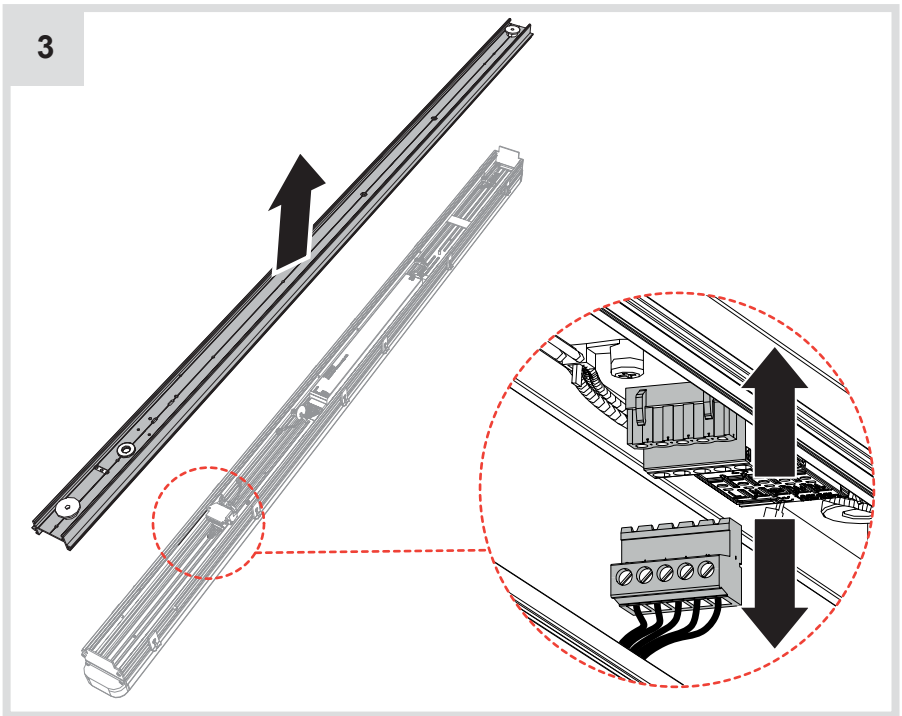
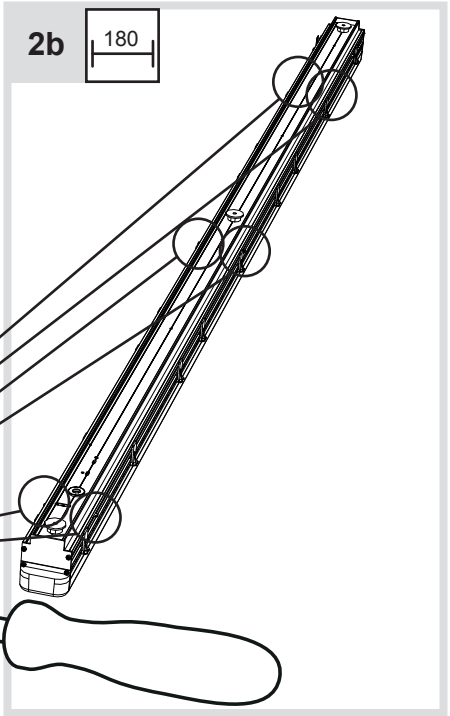
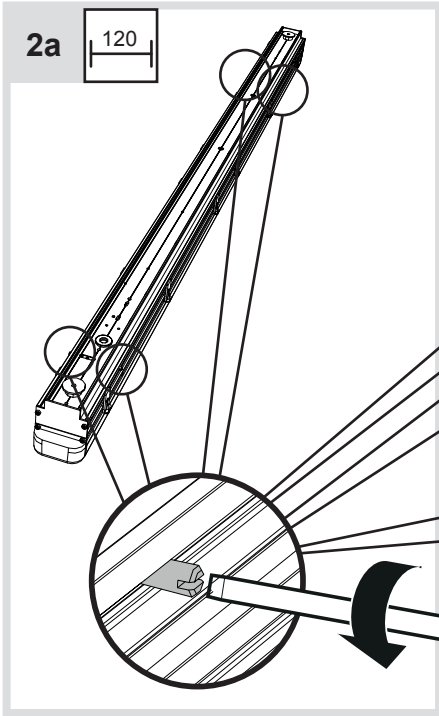


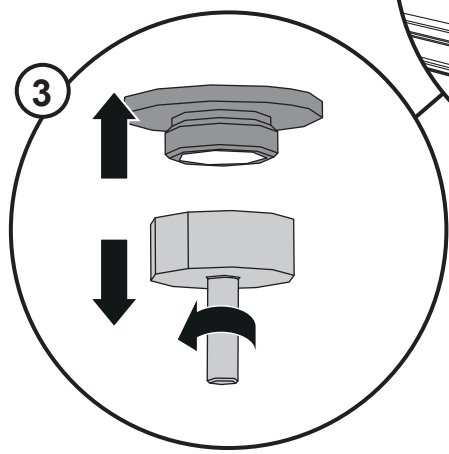
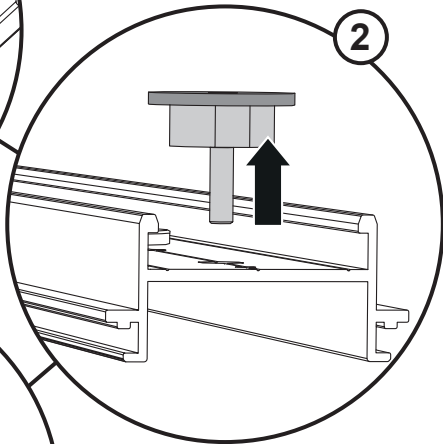
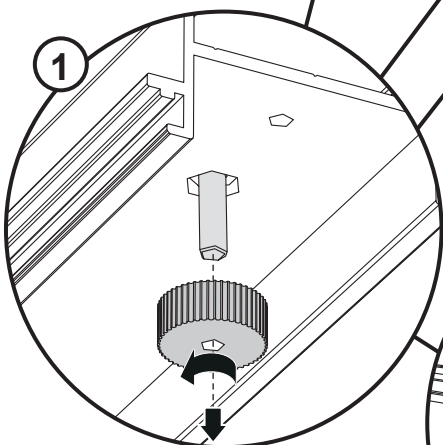
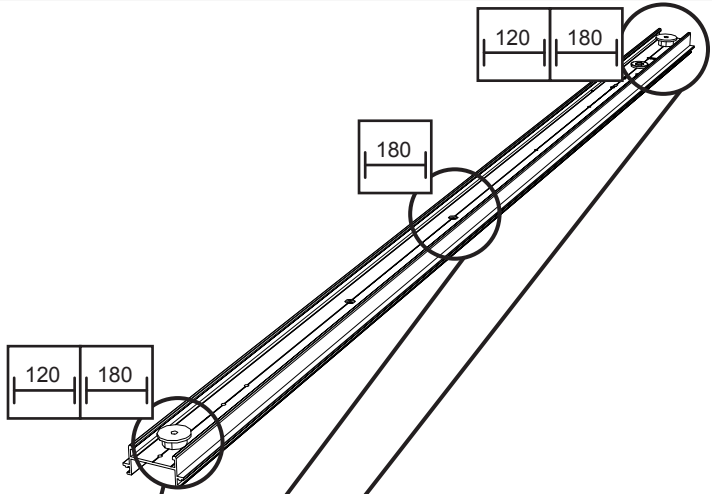
1a



1b

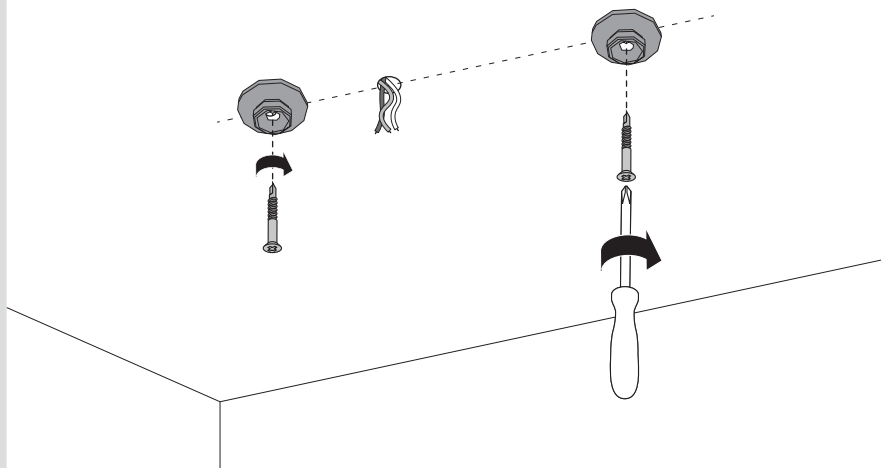






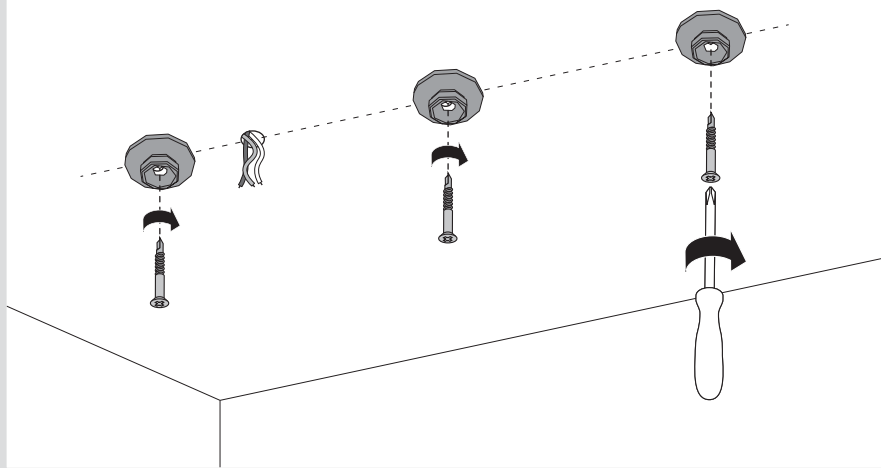
5a

120

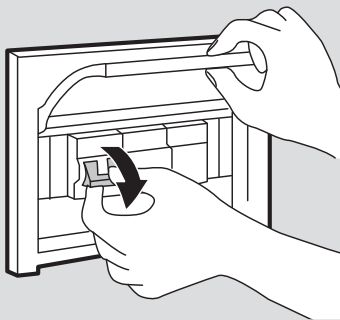
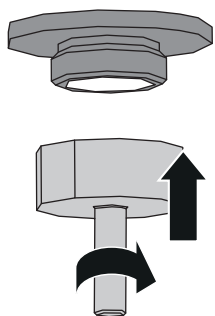


5b

180

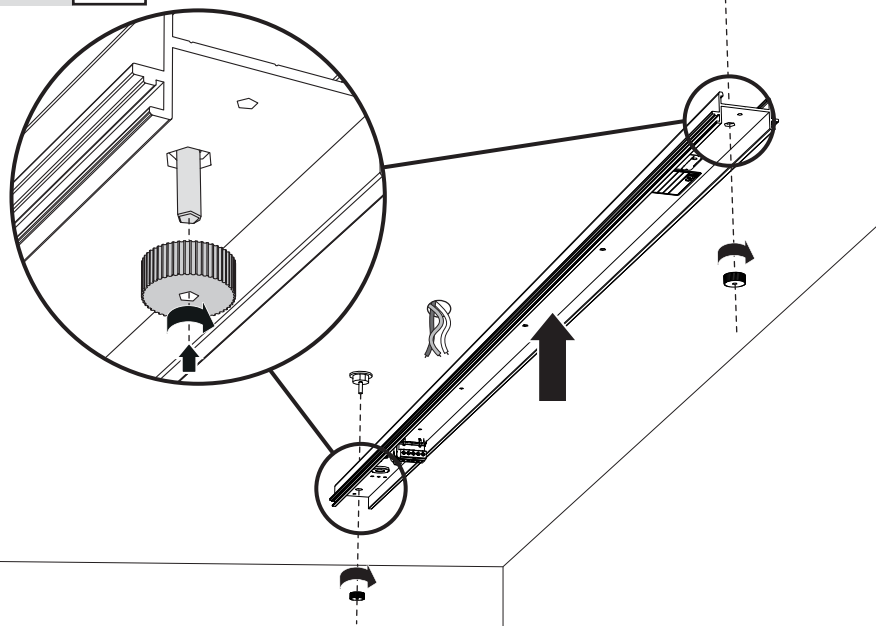


6



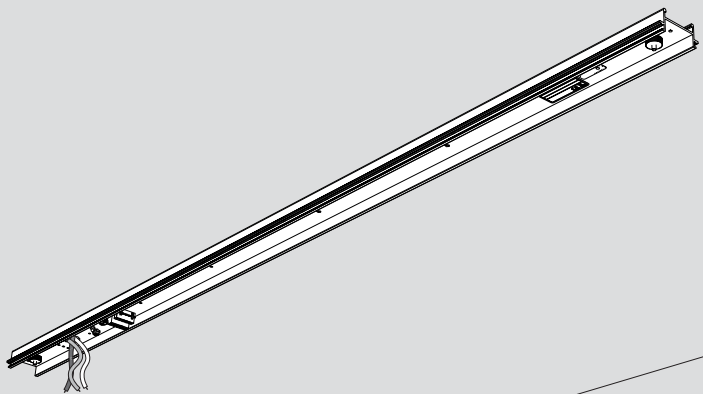
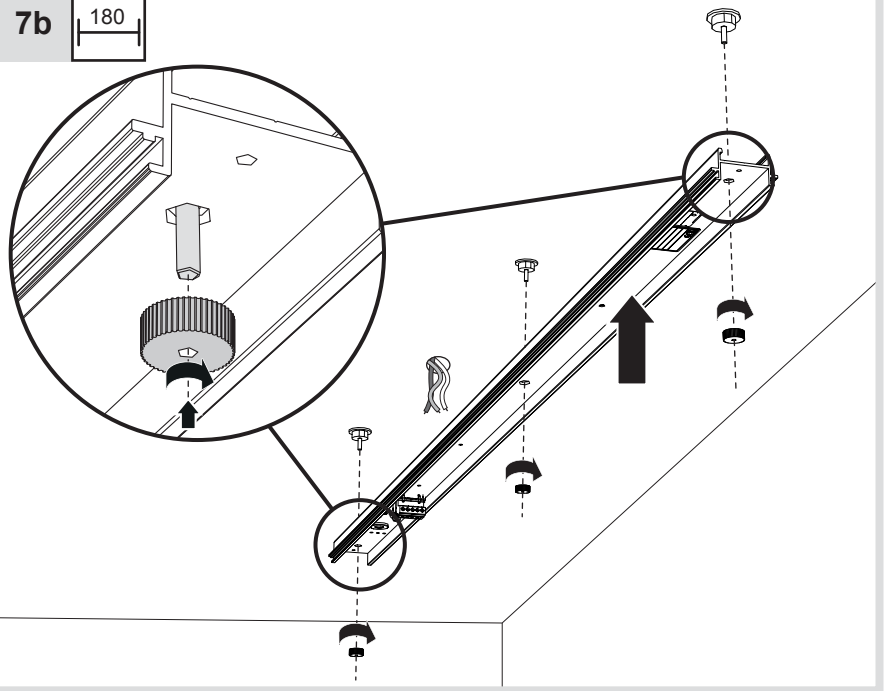
7a

120

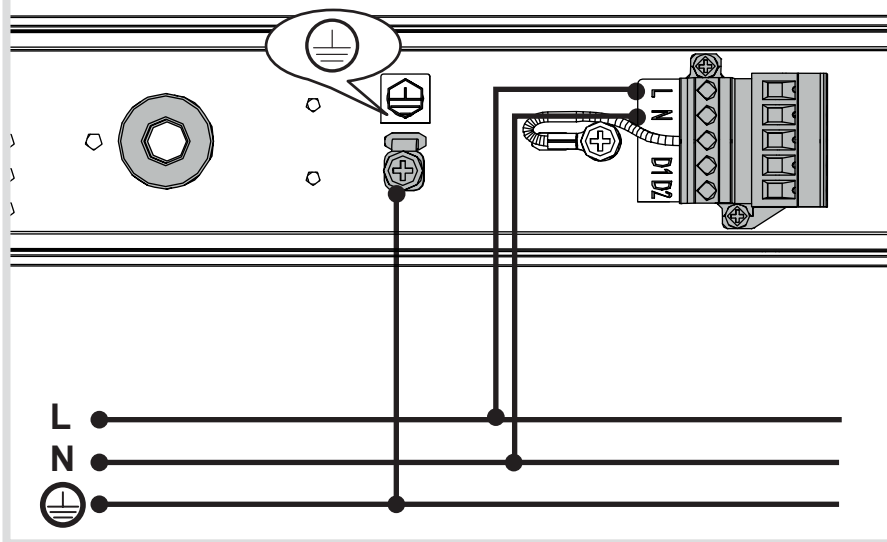


7b

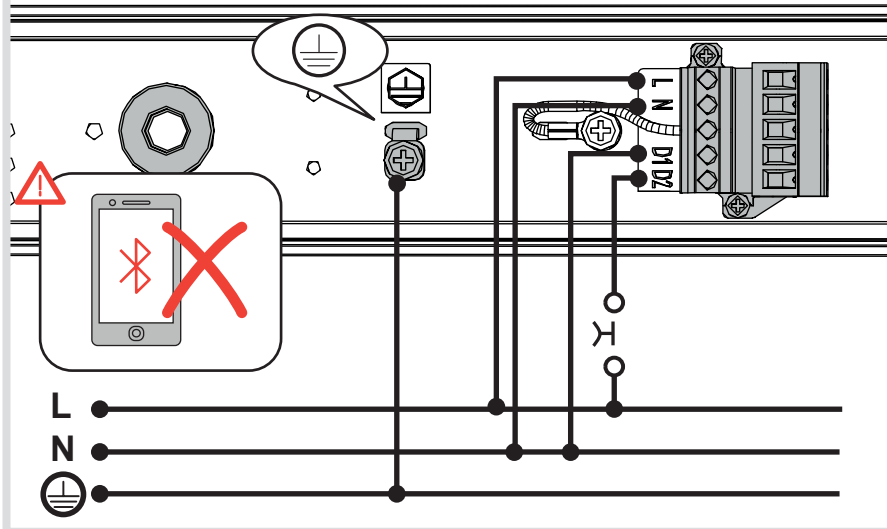
180



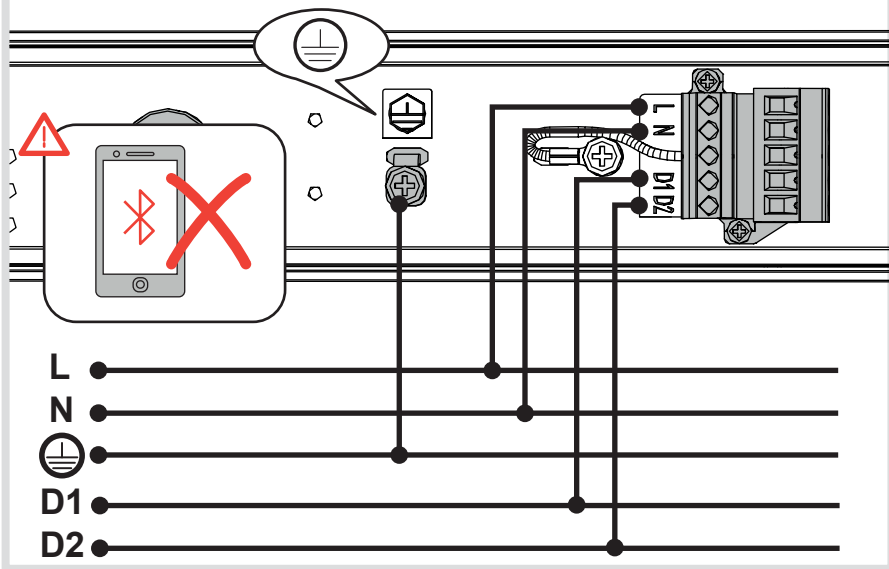
8a



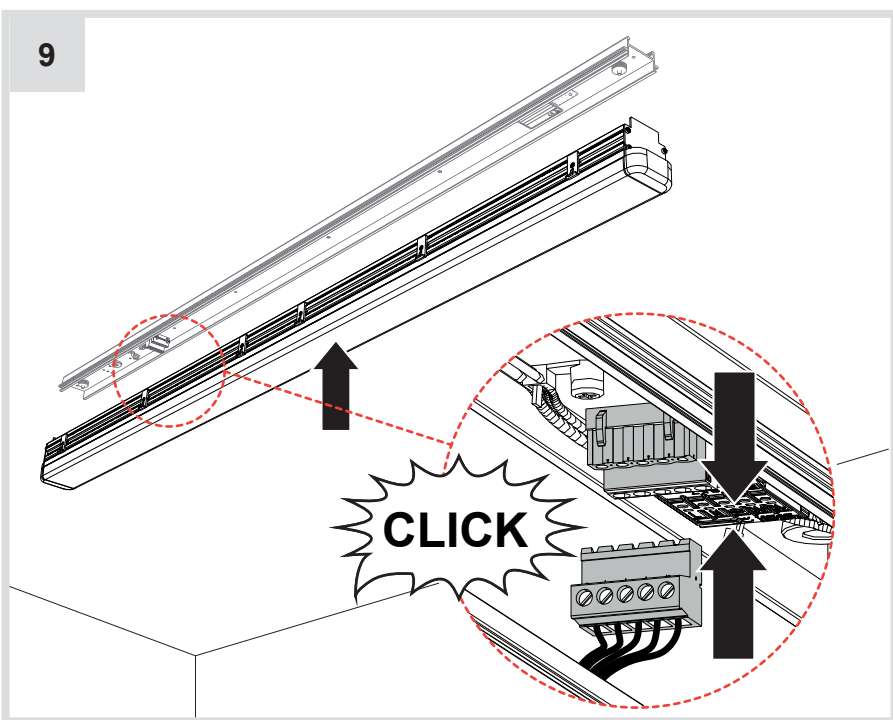
8b



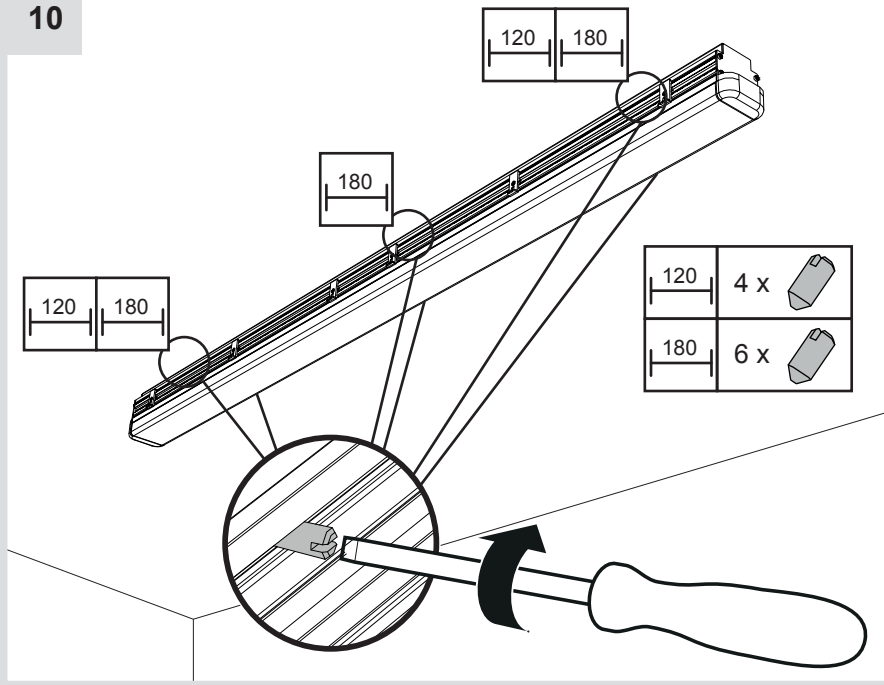
8c



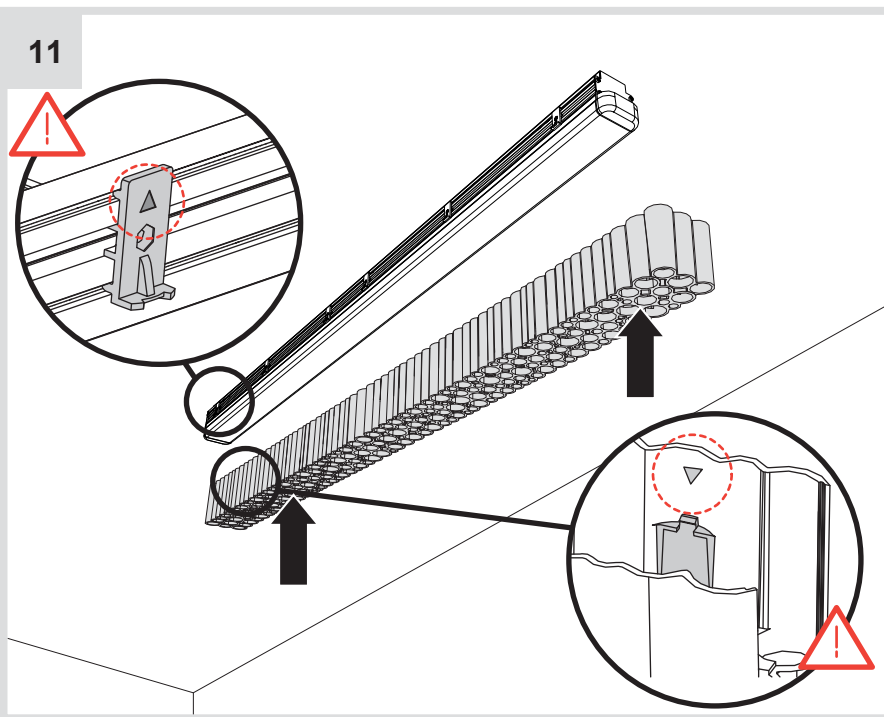
9

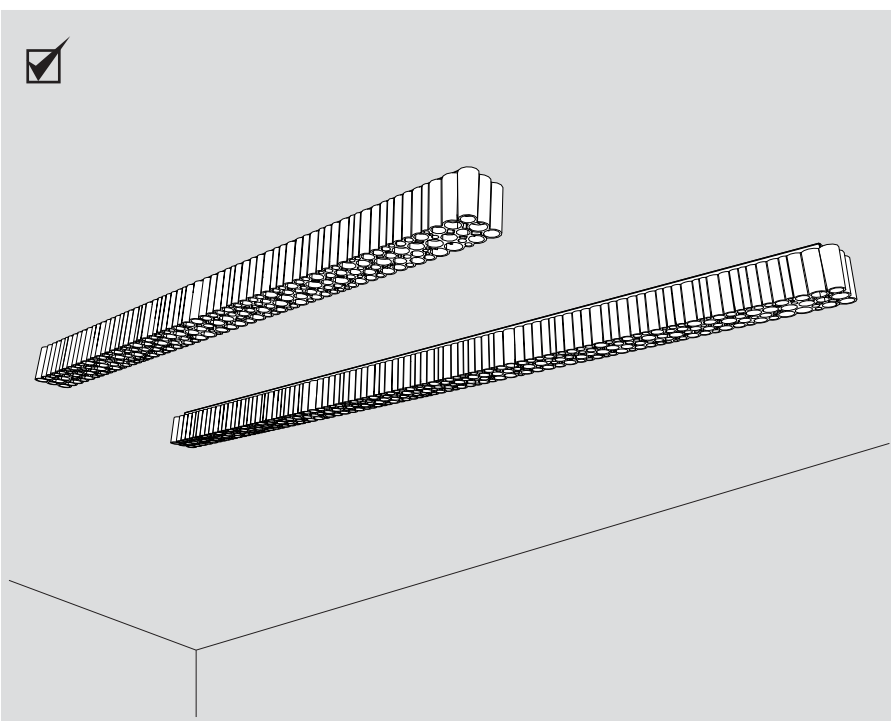
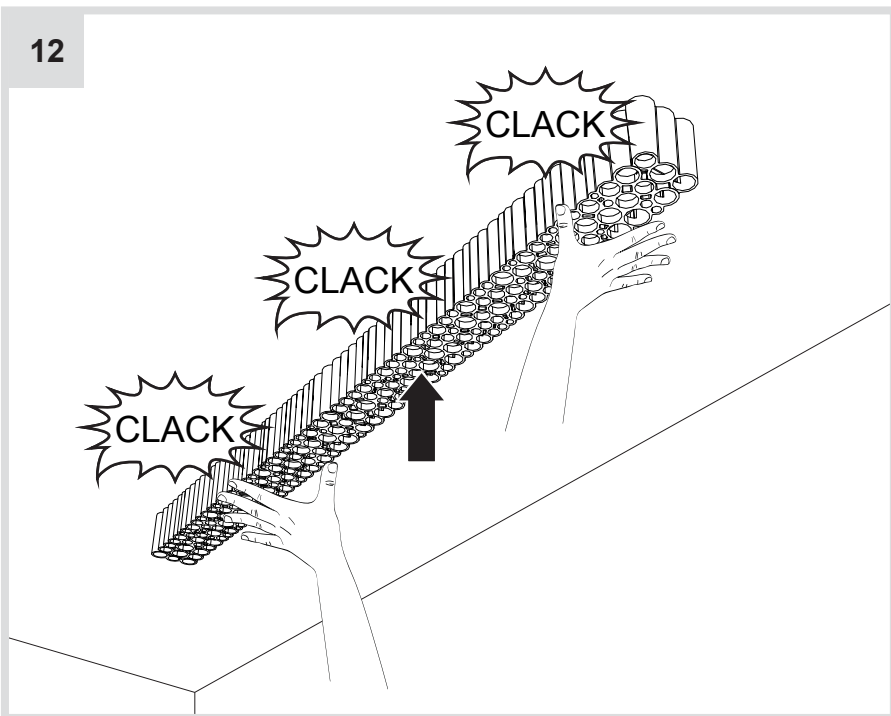


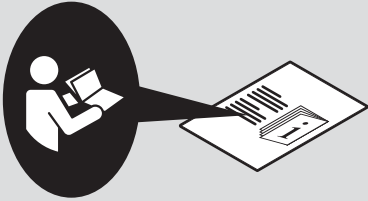
10



11







Artemide®



Artemide

via Bergamo, 18
20010 Pregnana M.se (MI)
ITALIA

tel. +39 02 935 181
fax +39 02 935 90 254
fax +39 02 935 90 496

www.artemide.com

VAT IT00846890150

cod. Y513001104