

# BOLS

t-4022X  
ceiling light

Date	Type
Project	
Location	
Model #	Quantity
Specifier	

## Description

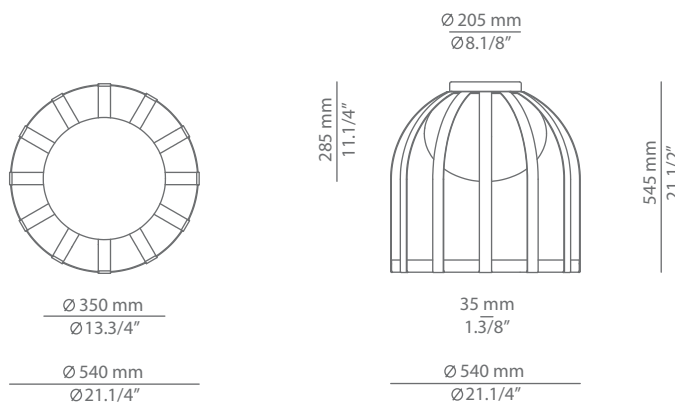
Aluminium ceiling light with polyethylene shade and integrated dimmable LED. Double layer coating for high resistance to corrosion and other maritime environmental conditions.



Pictures above might not show the specified dimensions or material. They are for illustration purposes only.

## Ordering information

Product Code	Lamp	Finish
t-4022X	LED 10W (led included) <span style="color: orange;">F</span> (2700K / Ang 120° / >90 CRI) 230V / Typ* 730 lumens Dimmable Triac	78 OX RD Oxide Red CUSTOM



## SPECIAL REQUIREMENTS

### Custom finishes and versions

We offer custom plated or RAL finishes and shades.

Alternate lamping and sizes available for projects. Consult our offices.

### Special instructions

---



---



---