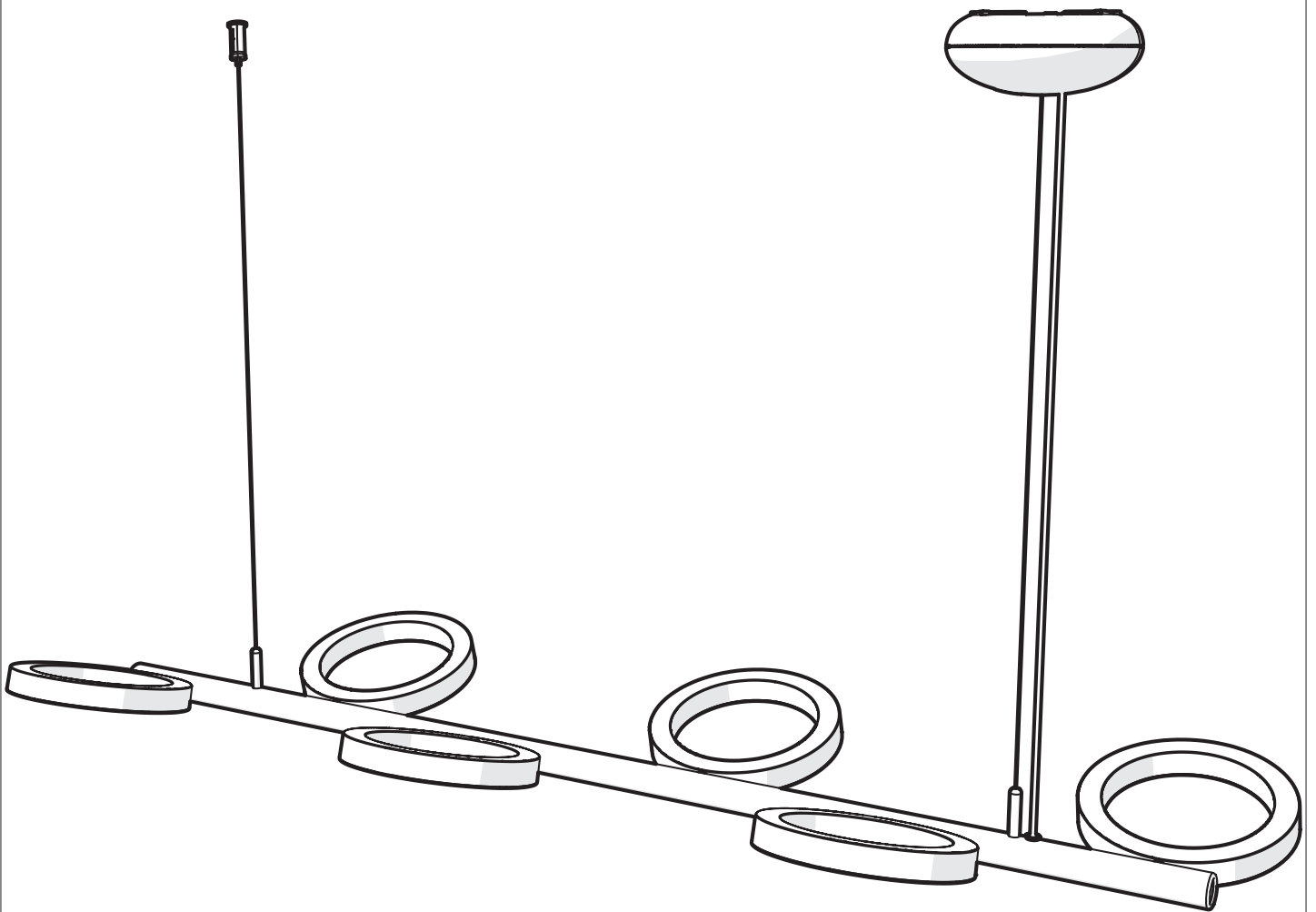


m o o o i

Pallana Light 6



CE

visit [www.moovi.com](http://www.moovi.com) for more information about the collection

# m o o o i

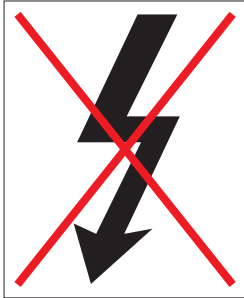
## Pallana Light 6

i

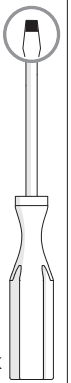
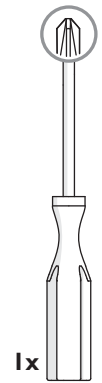
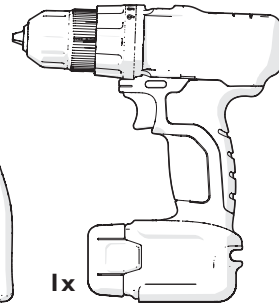
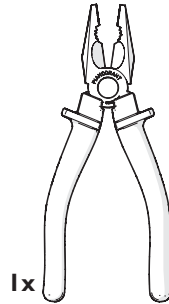
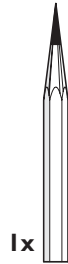


PLEASE HANDLE THIS PRODUCT WITH CARE. NEVER PLACE THE LAMP ON THE GROUND. THIS MAY DAMAGE THE PRODUCT.

请小心使用本产品. 切勿将灯放在地面上. 这可能会损坏产品.



NOT INCLUDED  
不包含



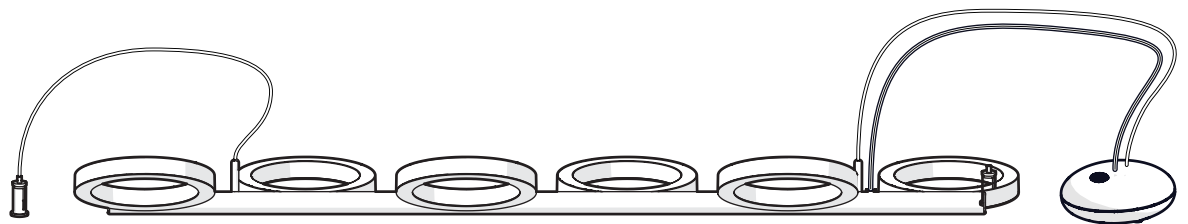
THE LIGHT SOURCE CONTAINED IN THIS LUMINAIRE SHALL ONLY BE REPLACED BY THE MANUFACTURER OR HIS SERVICE AGENT OR A SIMILAR QUALIFIED PERSON.

本灯具中包含的光源只能由制造商或其服务代理或类似的合格人员更换.

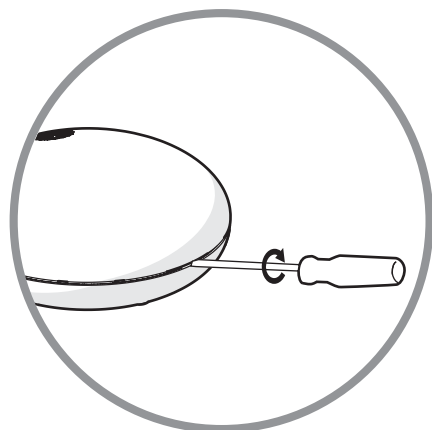
THE INSULATION BETWEEN THE LOW VOLTAGE POWER SUPPLY AND THE CONTROL CONDUCTOR IS BASIC INSULATION

LV电源与控制导体之间的绝缘类别为基本绝缘

1



2

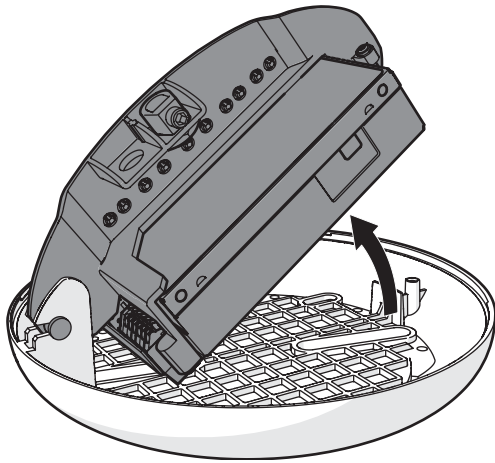


# m o o o i

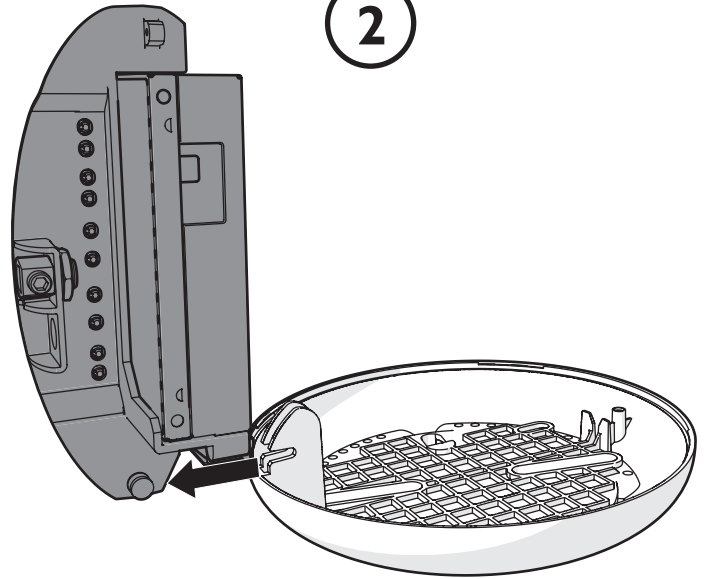
## Pallana Light 6

3

1

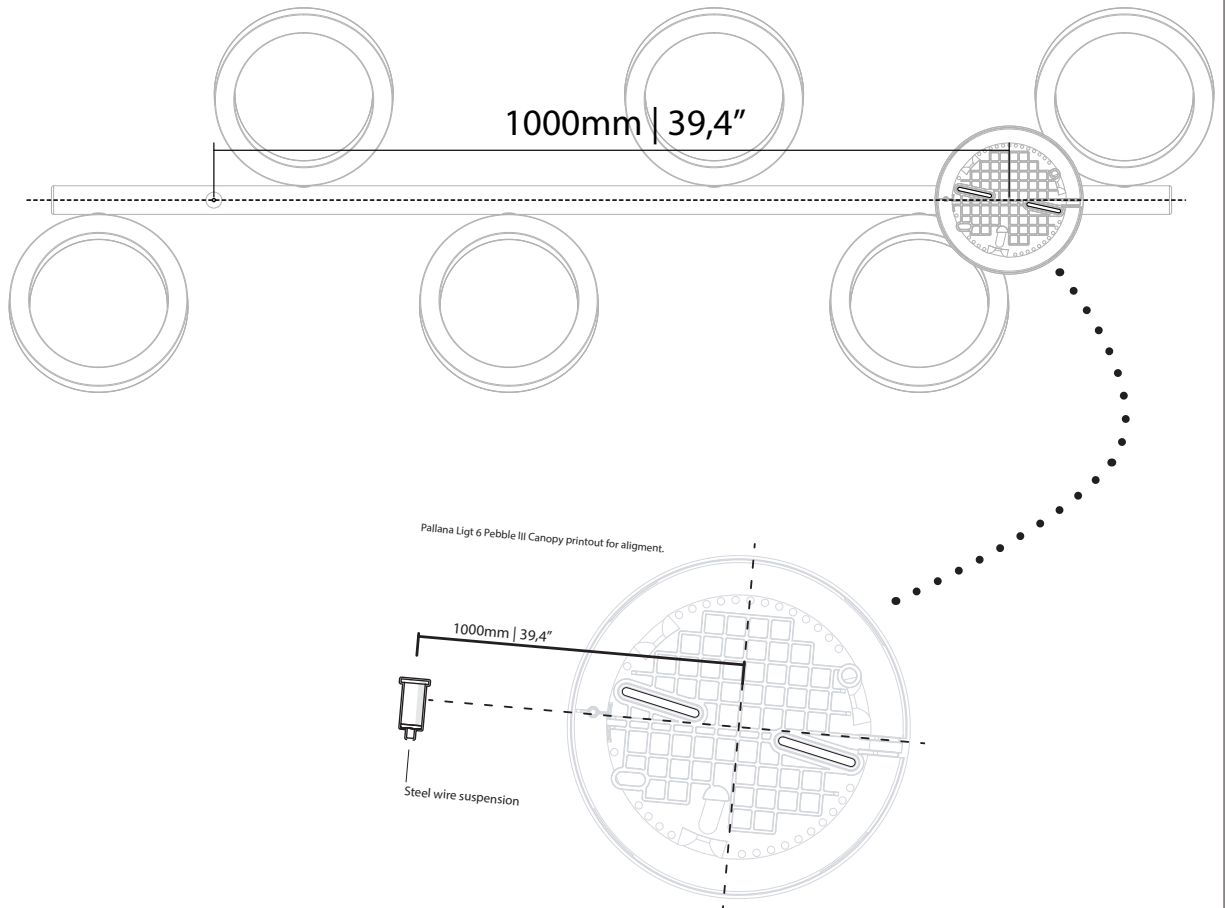


2



4

See Canopy printout for alignment.

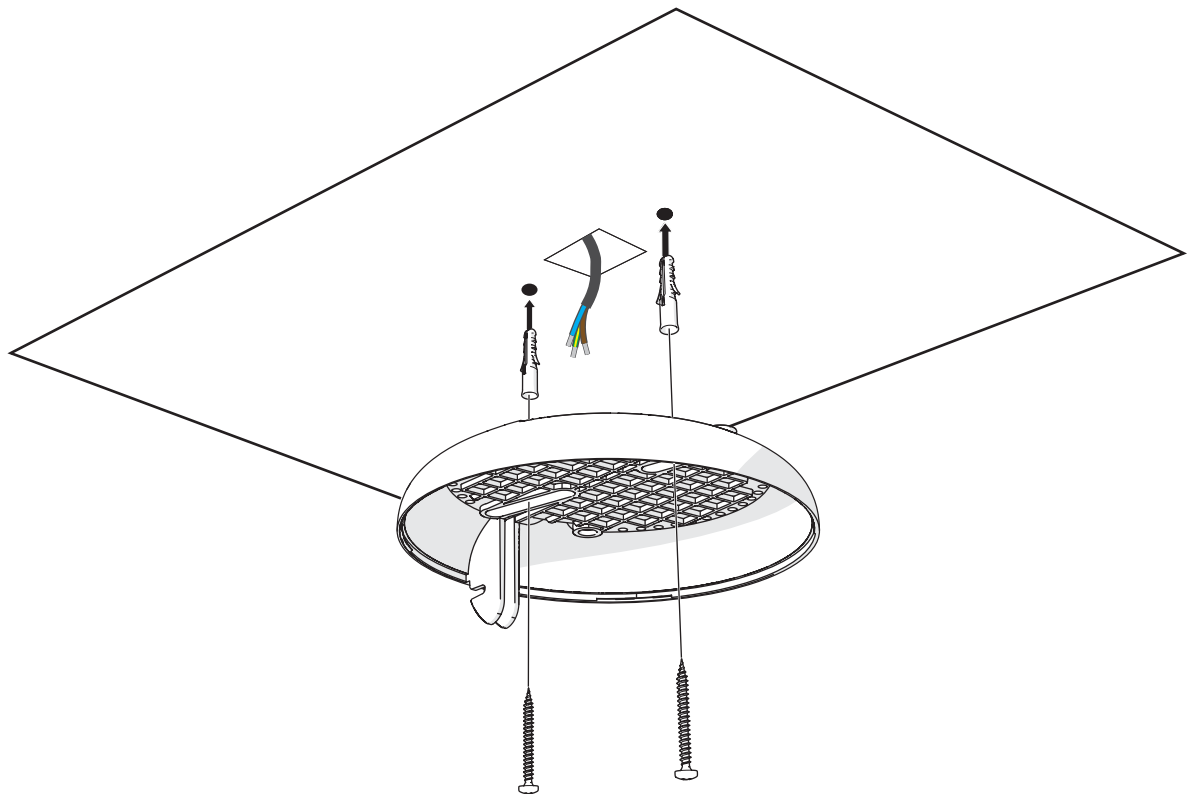


visit [www.mooui.com](http://www.mooui.com) for more information about the collection

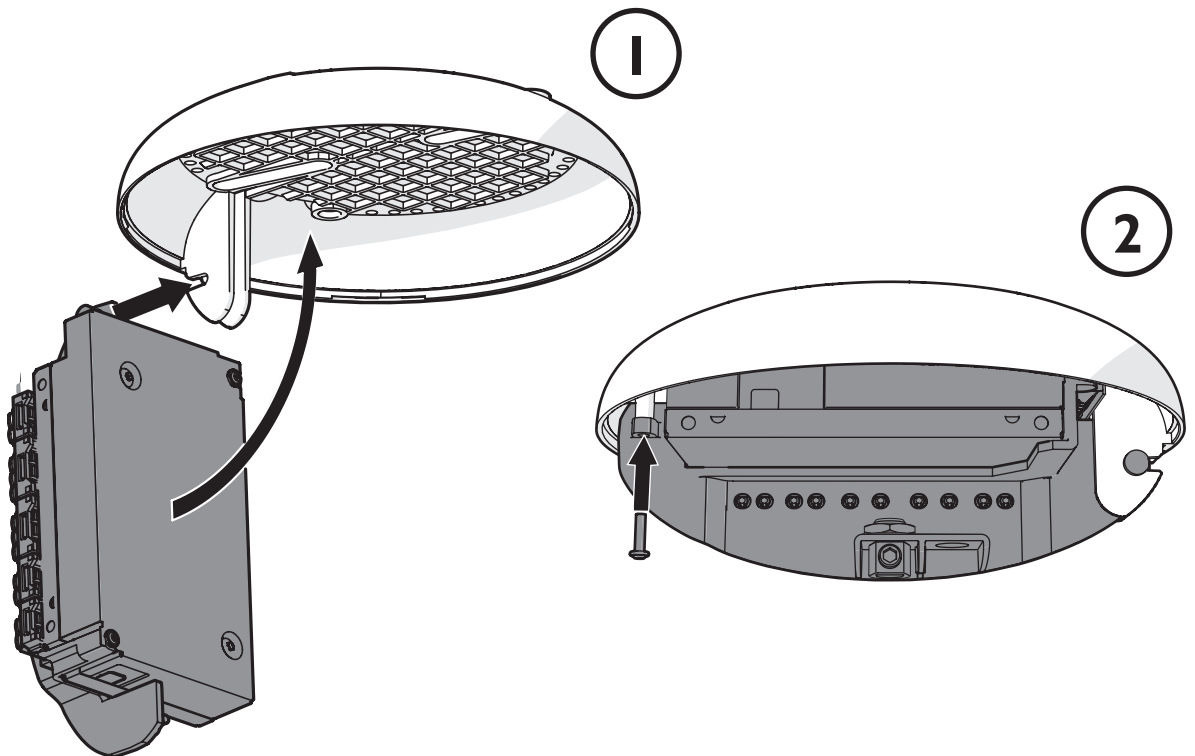
# m o o o i

## Pallana Light 6

5



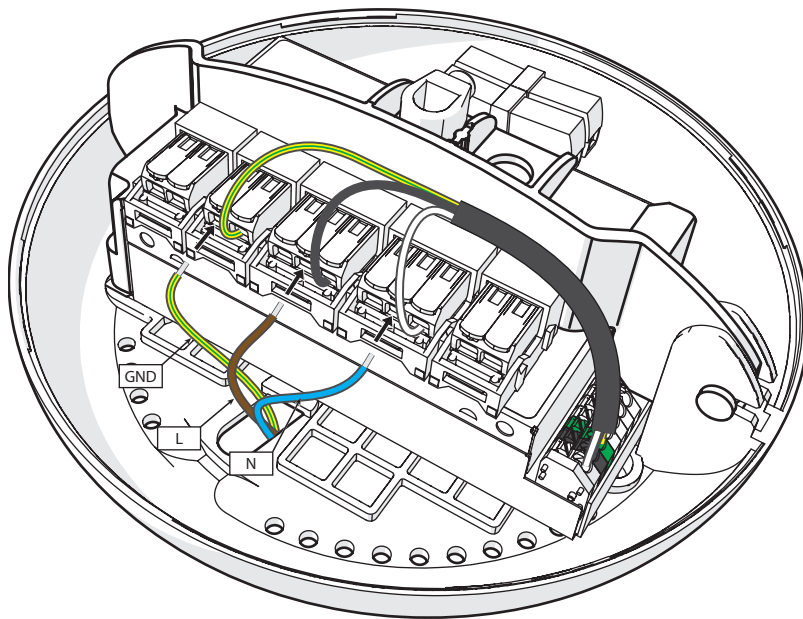
6



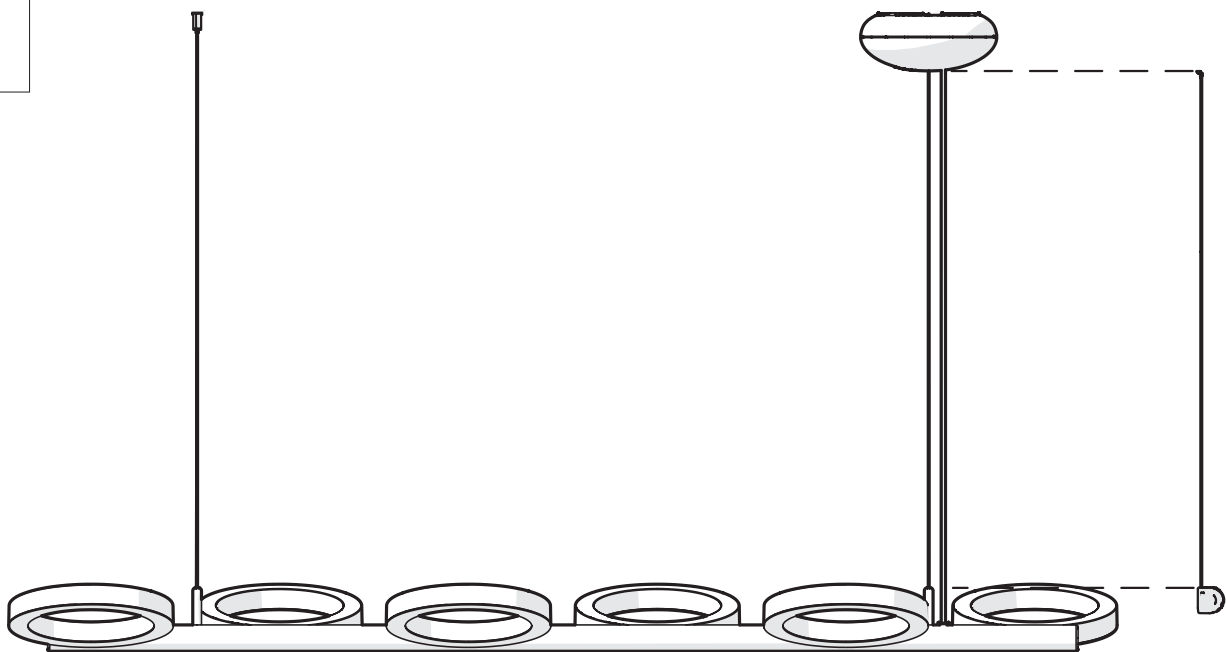
# m o o o i

## Pallana Light 6

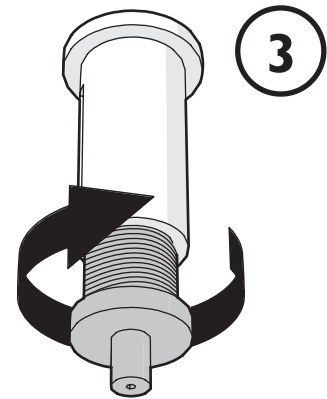
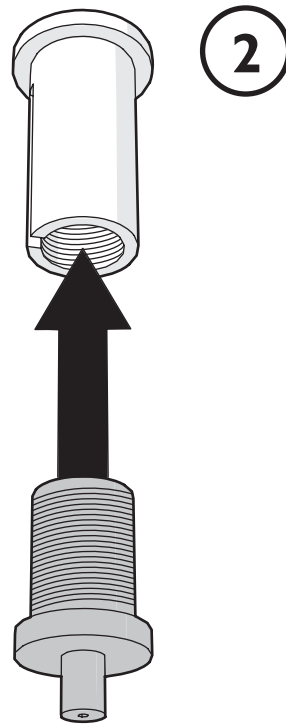
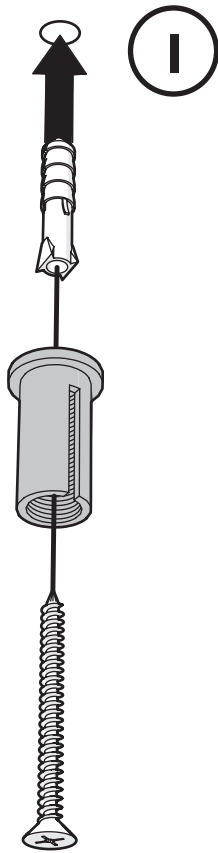
7



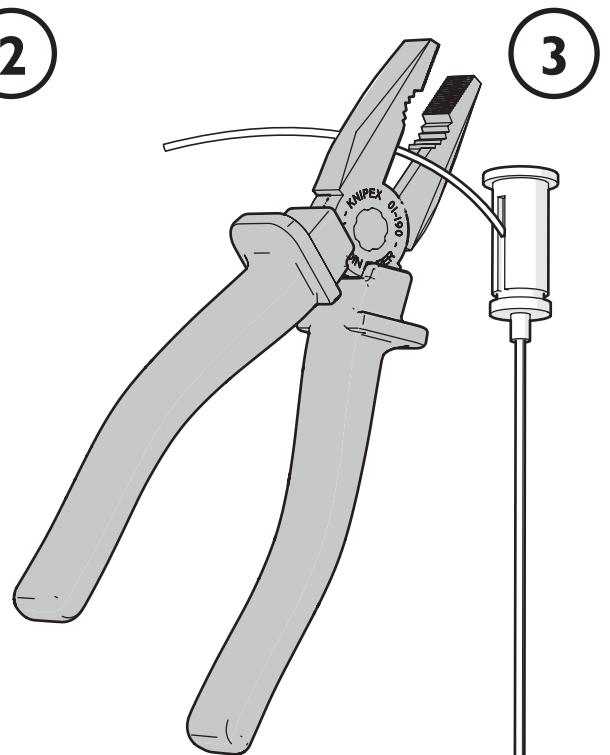
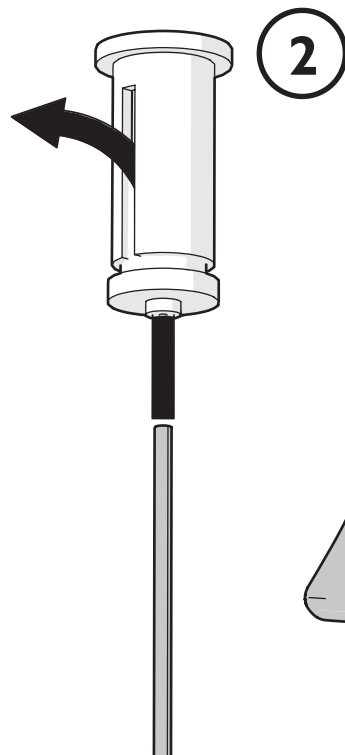
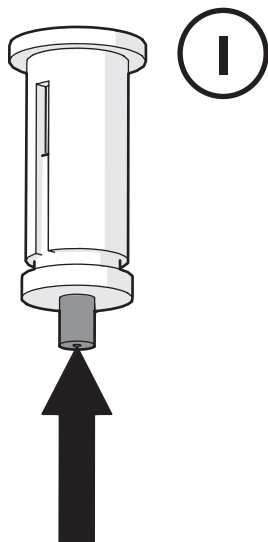
8



9



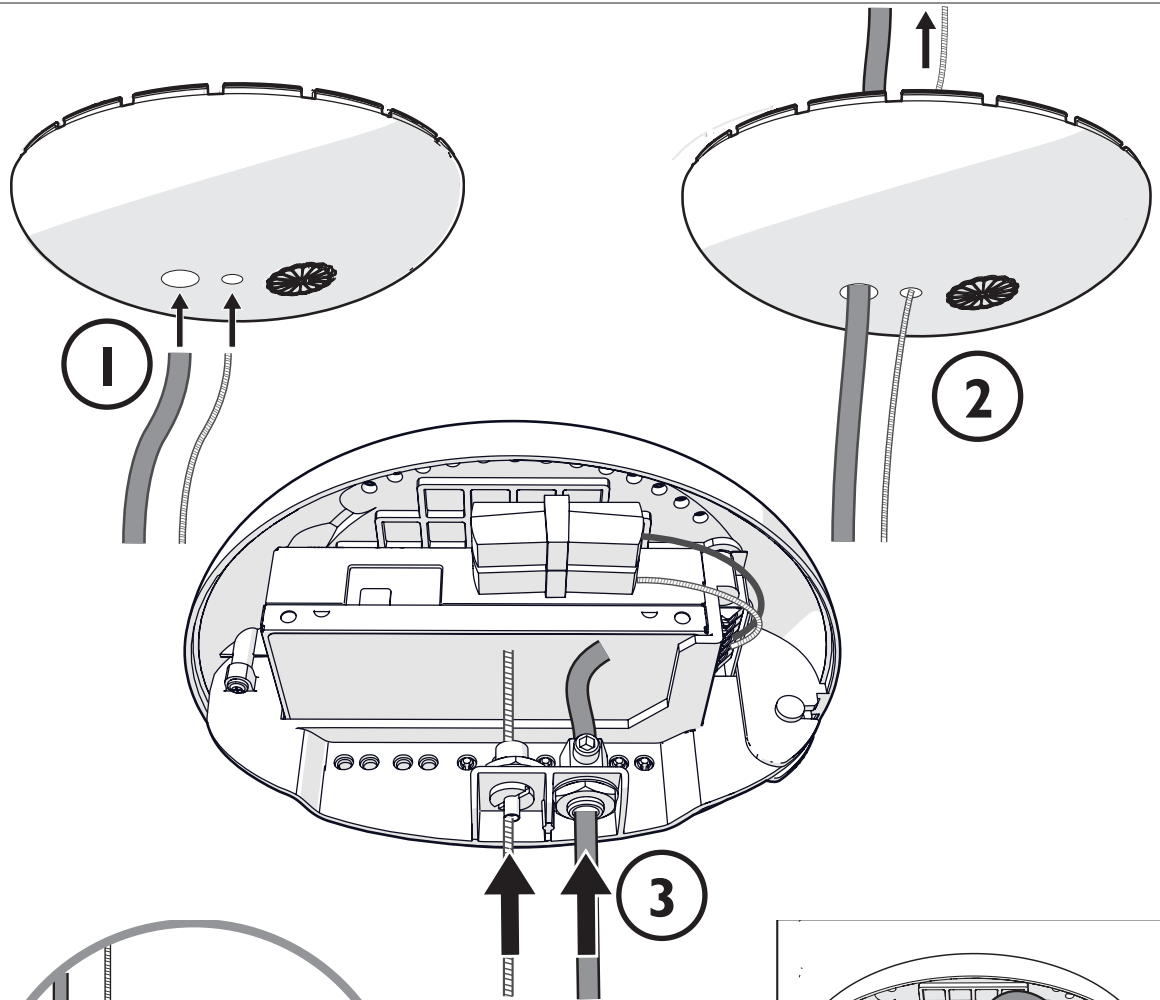
10



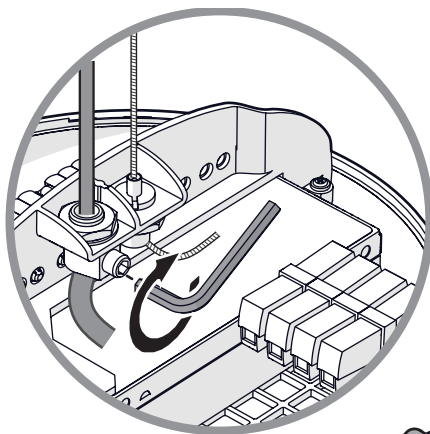
# moooi

## Pallana Light 6

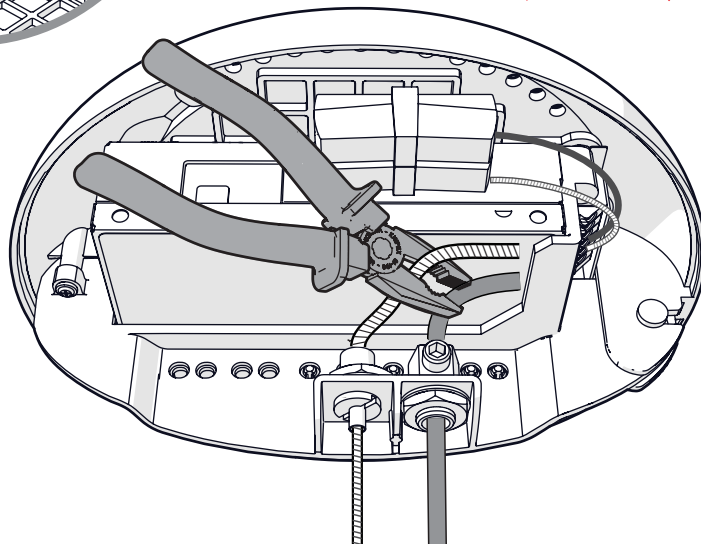
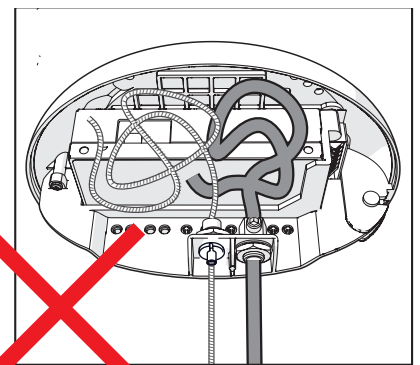
II



12



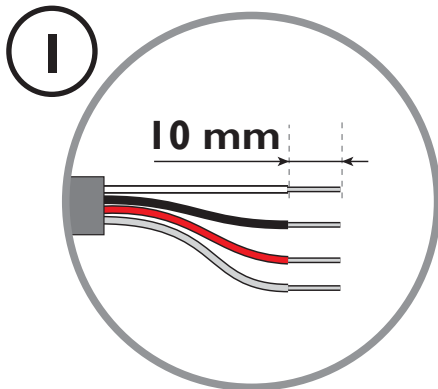
1



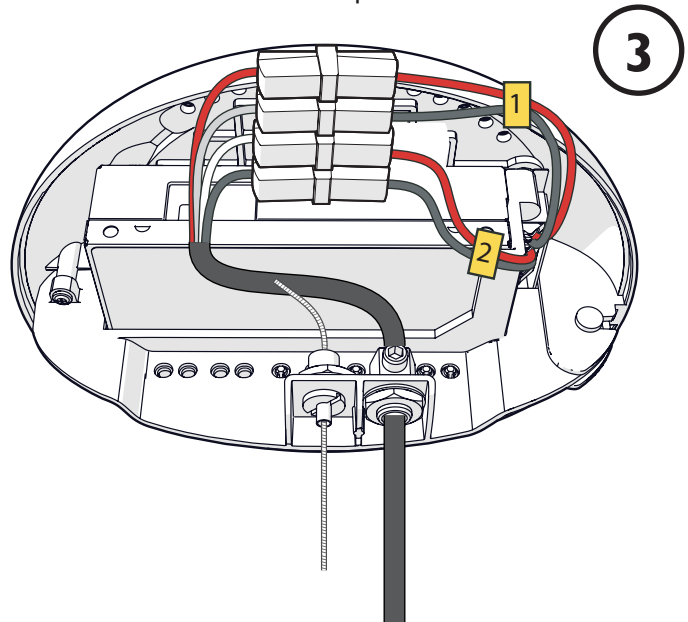
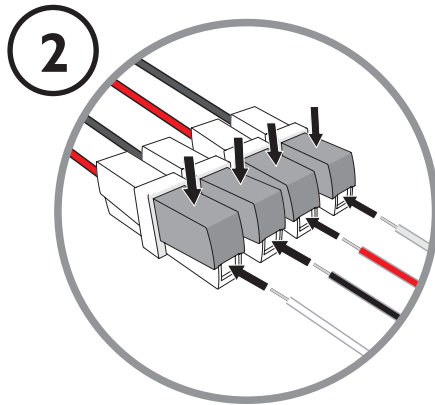
2

visit [www.moooi.com](http://www.moooi.com) for more information about the collection

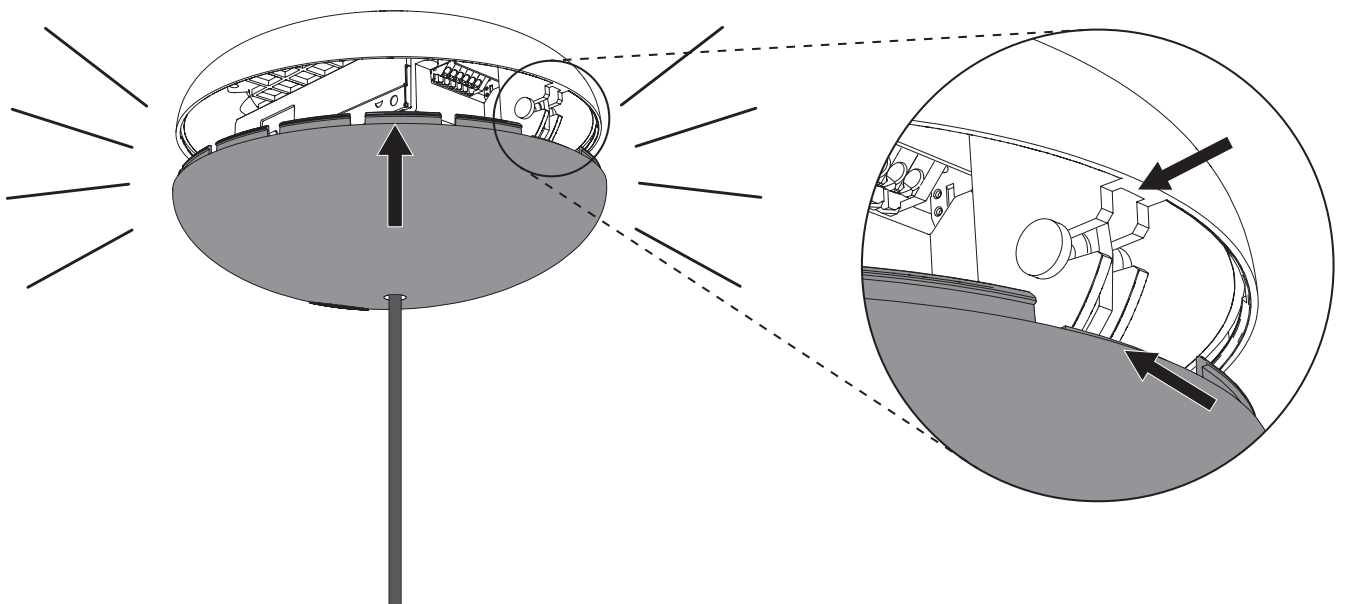
13



- Transparent cable with white line
- Transparent cable with black line
- Transparent cable with red line
- Transparent cable without colored line



14



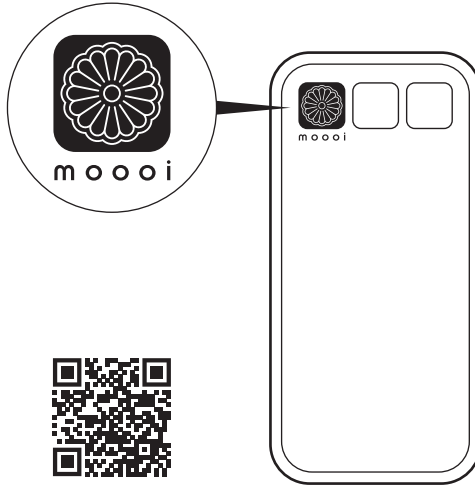


# m o o o i

## Pallana Light 6

i

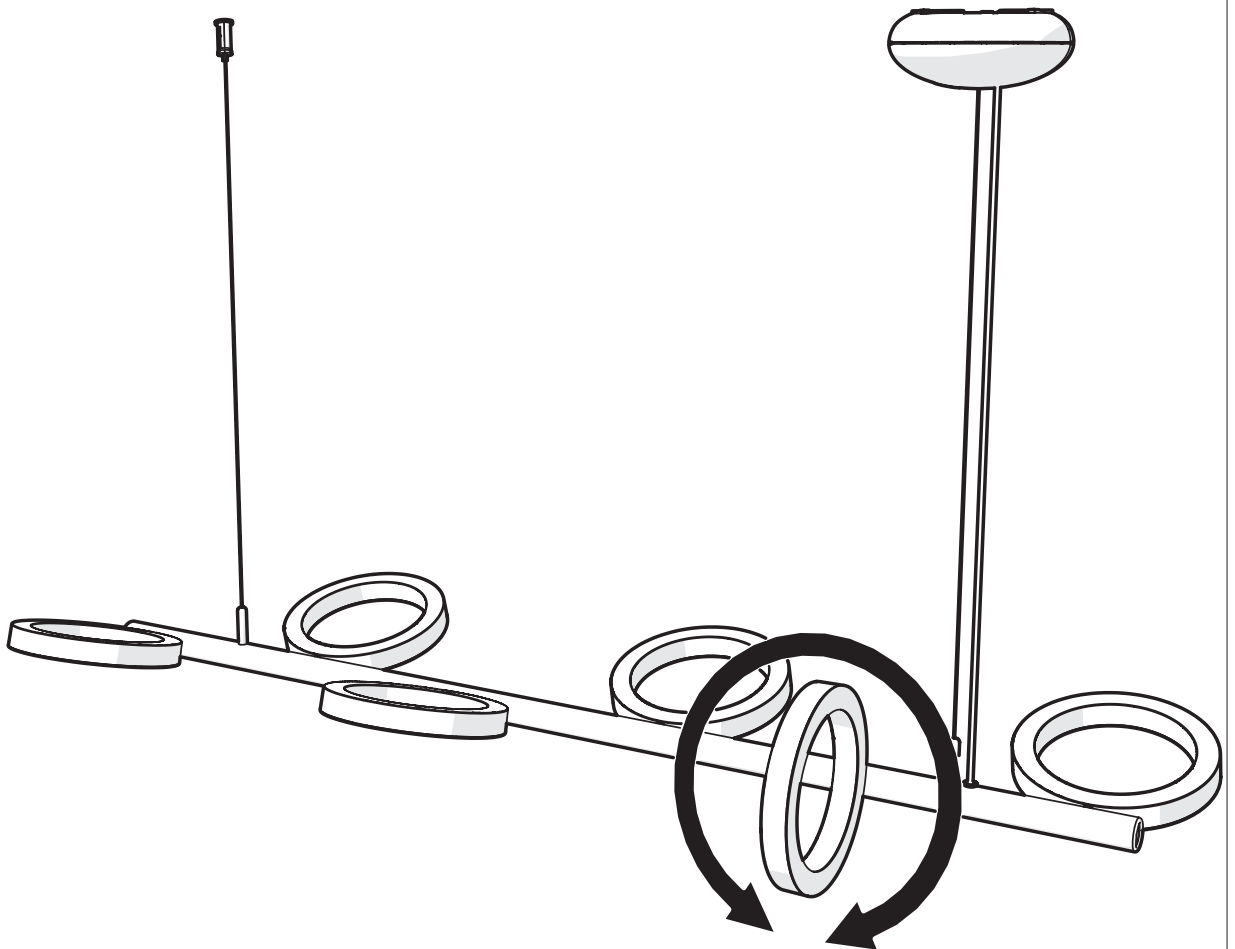
1 WWW.MOOOI.COM/  
THE-BUTTON



2 SCAN AND REGISTER  
扫描并注册



i

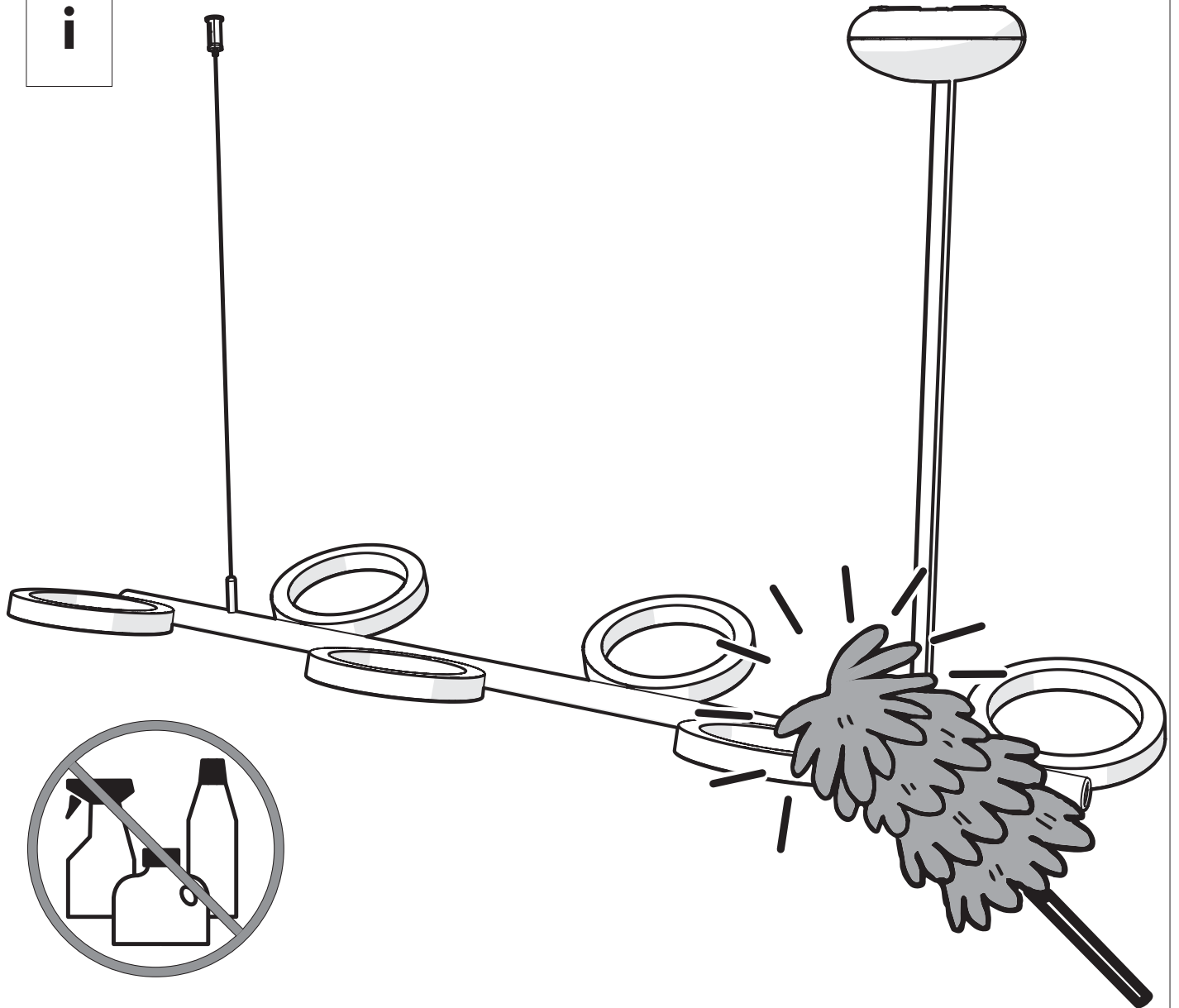


visit [www.mooui.com](http://www.mooui.com) for more information about the collection

# m o o o i

## Pallana Light 6

i



visit [www.mooui.com](http://www.mooui.com) for more information about the collection

m o o o i

Pallana Light 6

Thank you!  
谢谢!