

# HAZEL

Designed by Jacob Rudbeck



Pendant lamp



## TESTS & CERTIFICATIONS

CE (for indoor use)



## DIMENSIONS

Ø: 40 cm / 15.7"  
H: 16 cm / 6.3"

Ø: 22 cm / 8.7"  
H: 9.5 cm / 3.7"



## MATERIAL

Steel, aluminium and PMMA  
Incl. 2.7 m / 8'9" black textile cord and metal canopy



## WARRANTY

10 years warranty against manufacturer defects



## WEIGHT INCL. PACKAGING

Hazel medium: 4.9 kg / 10.8 lb  
Hazel mini: 2.1 kg / 4.6 lb



## LIGHT SOURCE

**Hazel medium:** 21W LED panel built-in. 3000 K  
1100 lumen. CRI: 85. 25000 H

**Hazel mini:** 12W LED panel built-in. 3000 K  
600 lumen CRI: 84. 25000 H

Dimmable with external dimmer\*



## PACKAGING DIMENSIONS (L x W x H)

Medium: 44.7 x 44.7 x 24.4 cm / 17.6 x 17.6 x 9.6"  
Mini: 24.4 x 24.4 x 17.4 cm / 9.6 x 9.6 x 6.9"



## ASSEMBLY TIME

10 min - video guide at [umage.com](https://umage.com)



## MEDIA KIT

Photos and press material  
Download at [umage.presscloud.com](https://umage.presscloud.com)

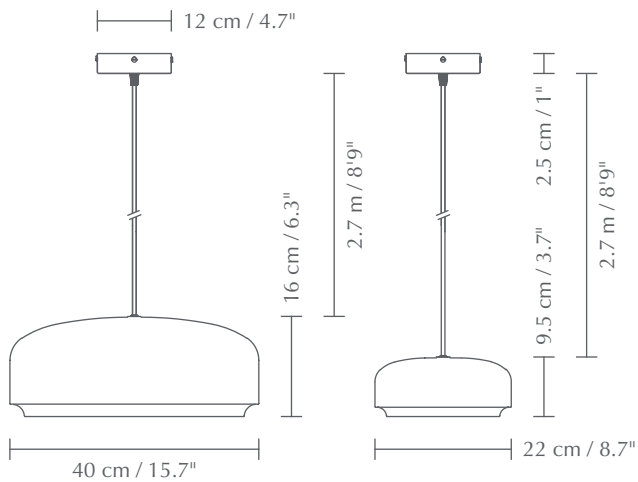


## ORDERING INFORMATION

Hazel medium black	#2440
Hazel mini black	#2441
Hazel medium white	#2446
Hazel mini white	#2447

Medium

Mini



Colour variations

\* For recommended external dimmers, go to [umage.presscloud.com](https://umage.presscloud.com)



black  
(RAL: 9005)



white  
(RAL: 9003)



# HAZEL

Designed by Jacob Rudbeck



## THE FUSION OF NATURE AND TECHNOLOGY

Introducing a new lamp; Hazel™, with a shape inspired by the humble hazelnut, designed from solid materials and LED technology, it becomes a crossbreed between nature and technology. The organic shapes, the brass details, and the soft light will create a warm yet minimalistic feeling in your home.

Find more info on our website [umage.com](https://umage.com)

