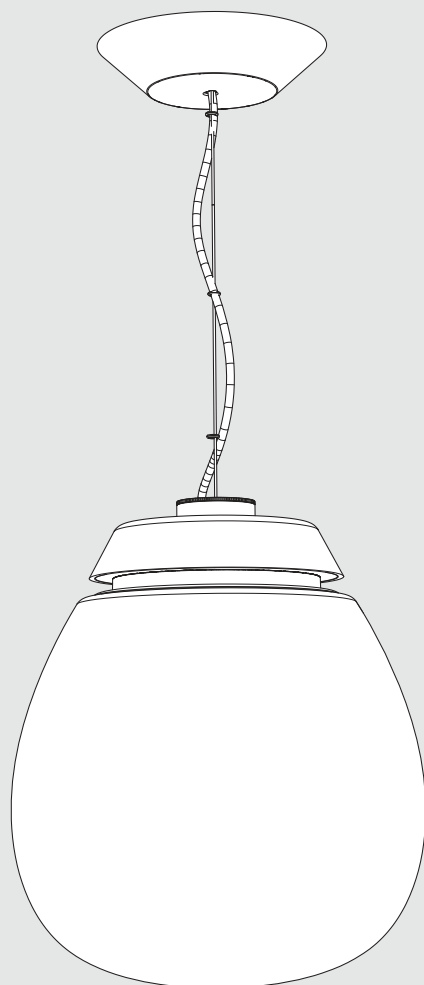


Artemide®

Empatia

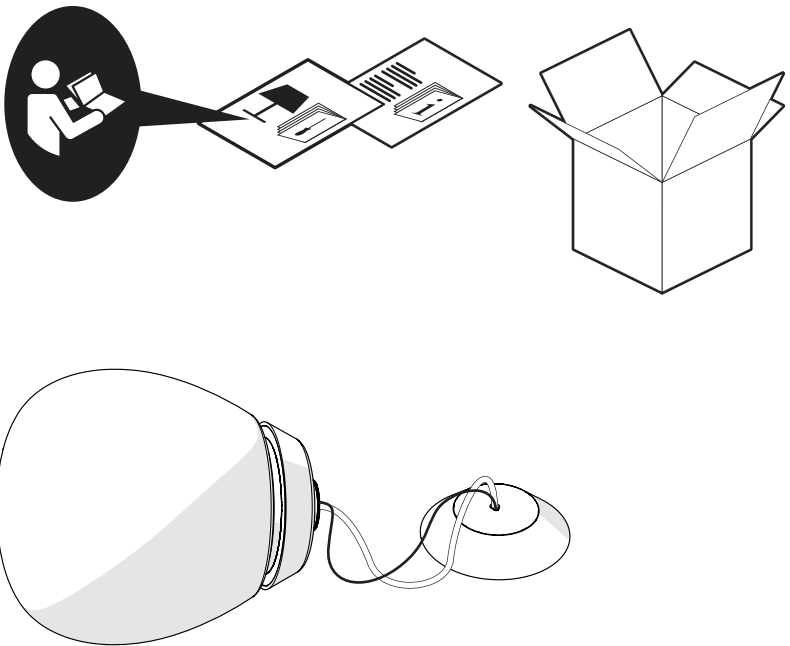
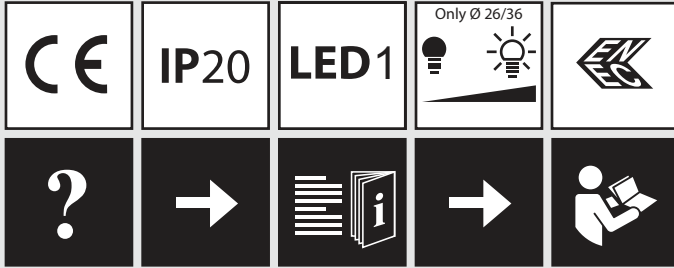
design

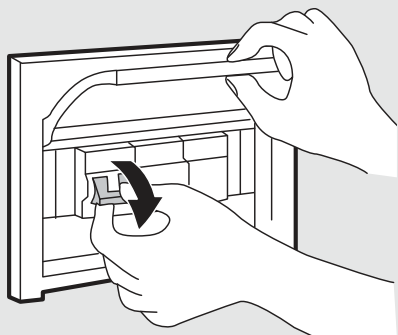
C. de Bevilacqua - P. di Arianello



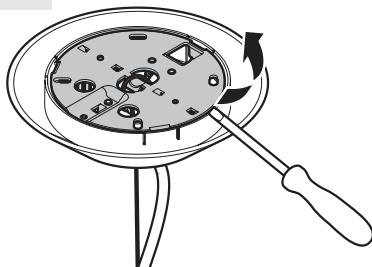


i

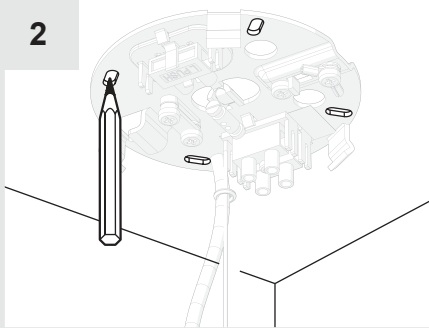




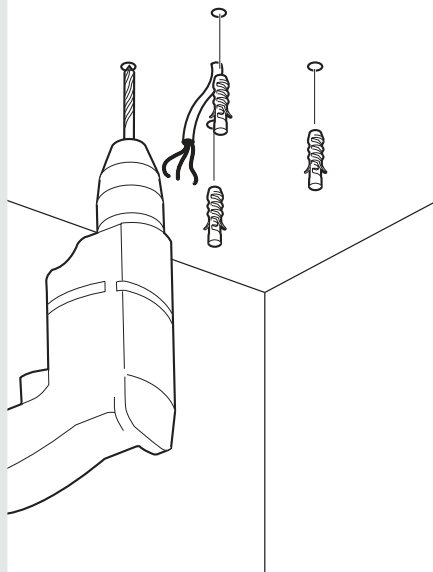
1



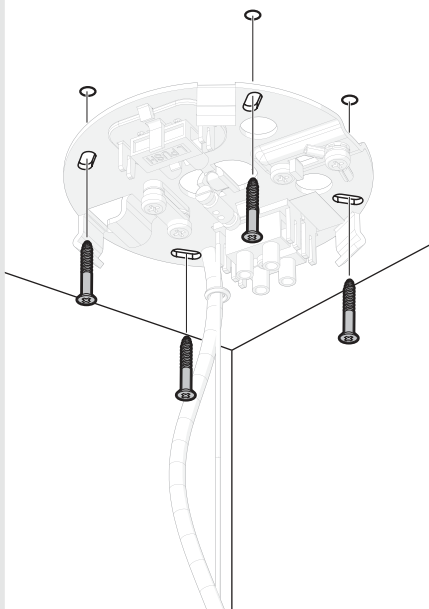
2



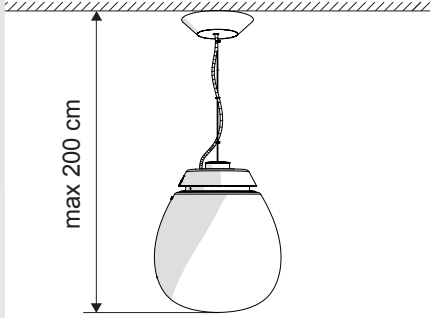
3



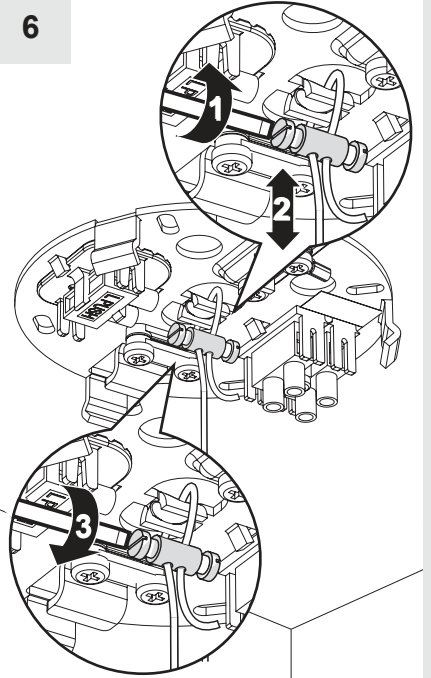
4



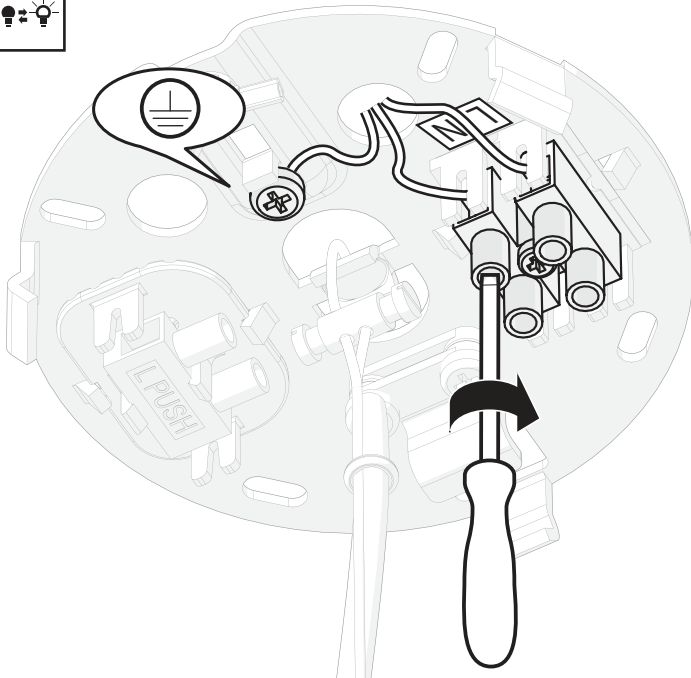
5



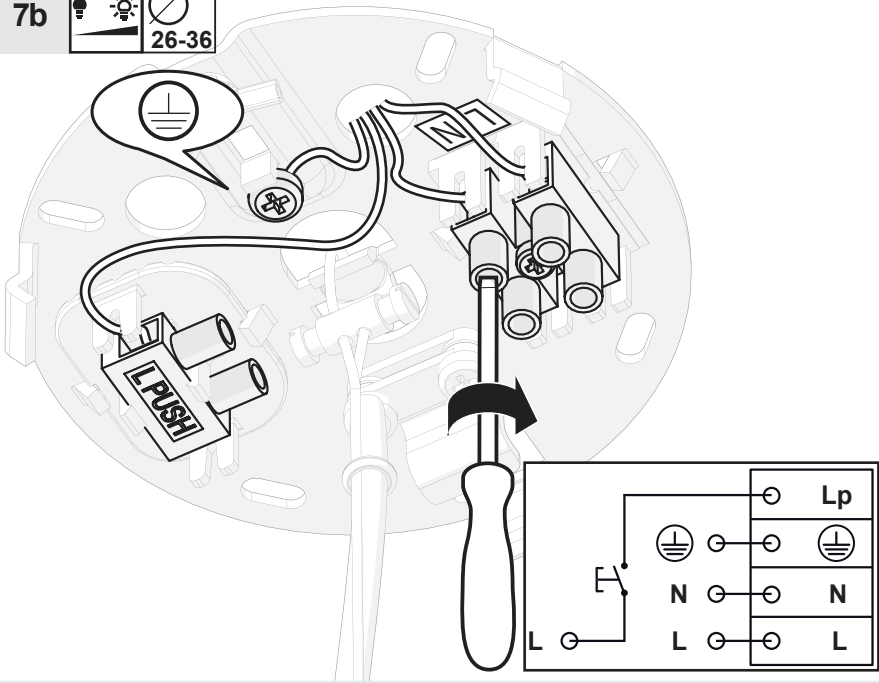
6



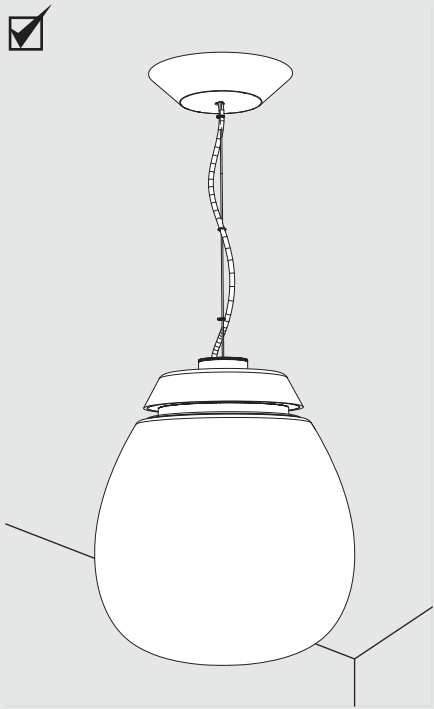
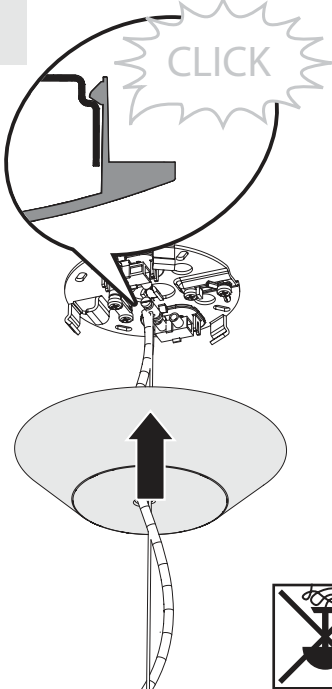
7a

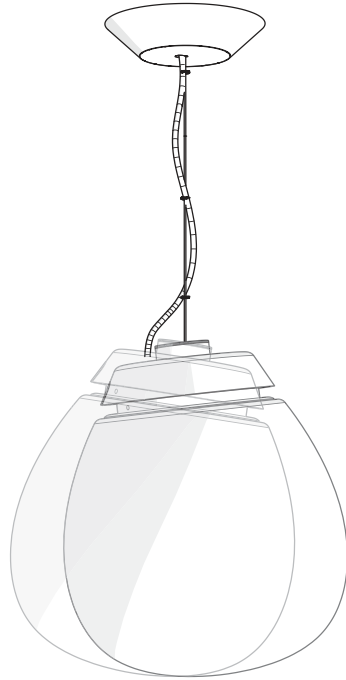


7b

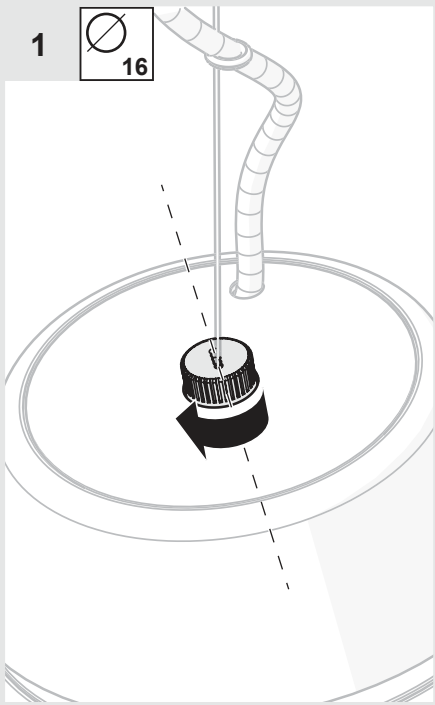


8

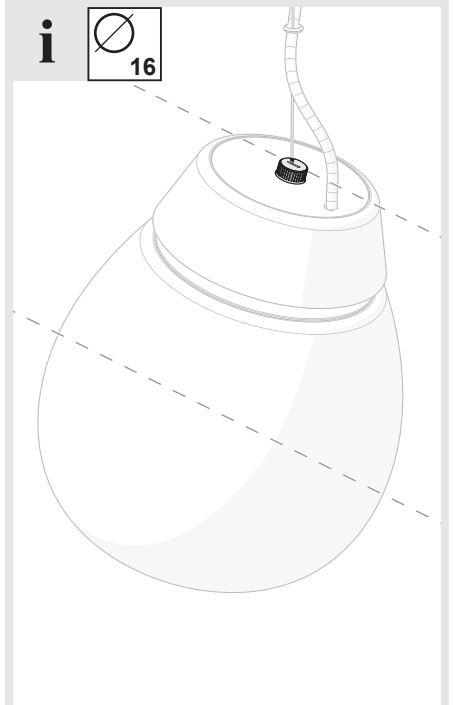




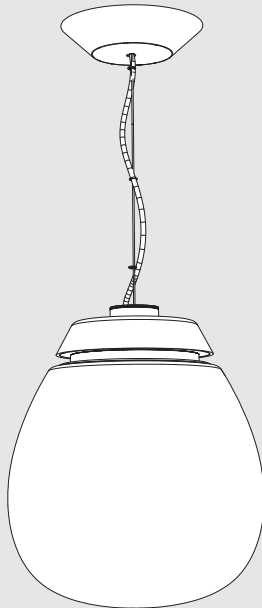
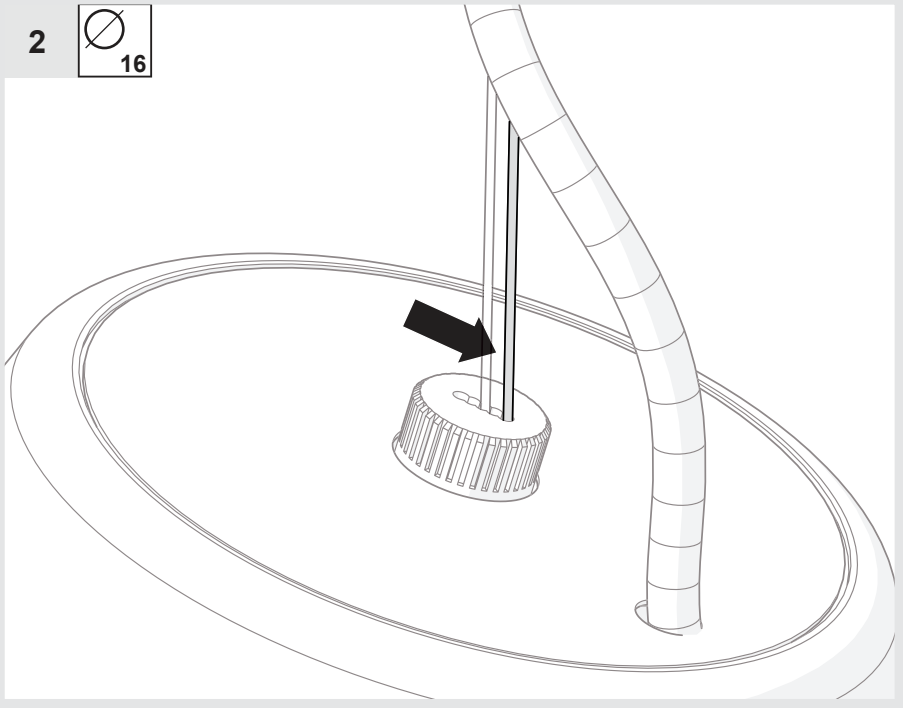
1

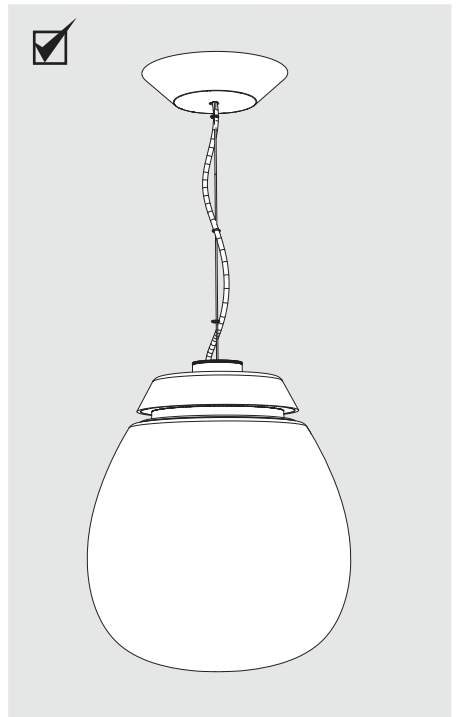
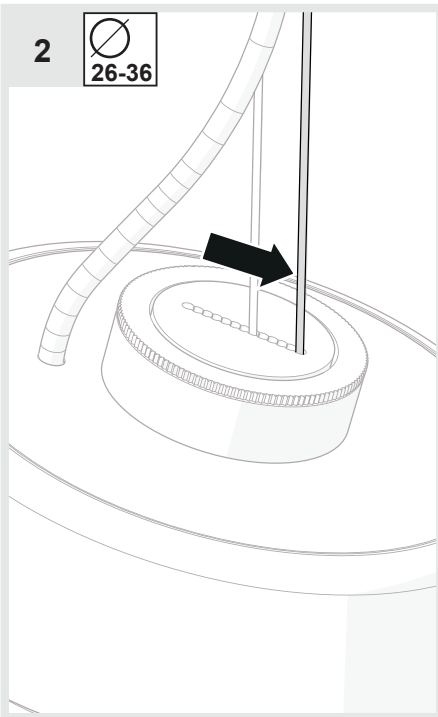
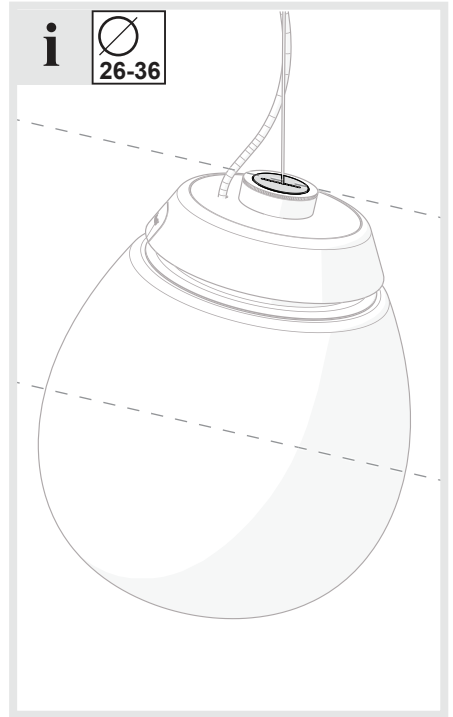
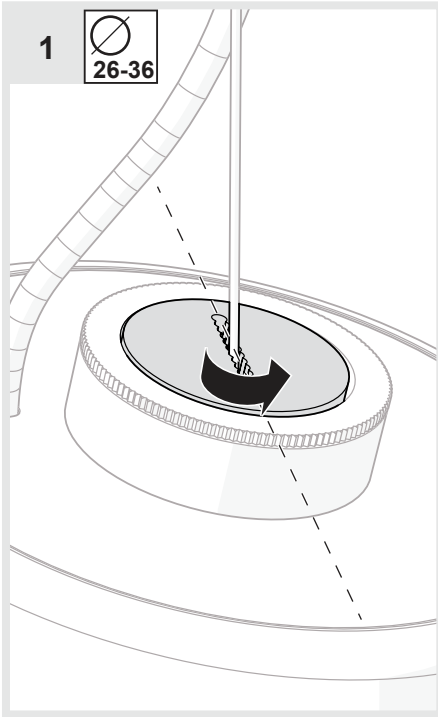


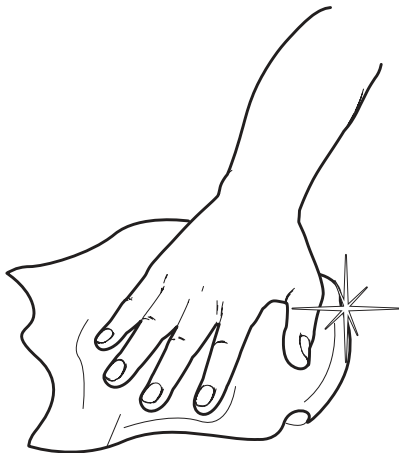
i



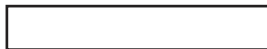
2







Artemide®



Artemide

via Bergamo, 18
20010 Pregnana M.se (MI)
ITALIA

tel. +39 02 935 181
fax +39 02 935 90 254
fax +39 02 935 90 496

www.artemide.com

VAT IT00846890150

cod. Y513000189E