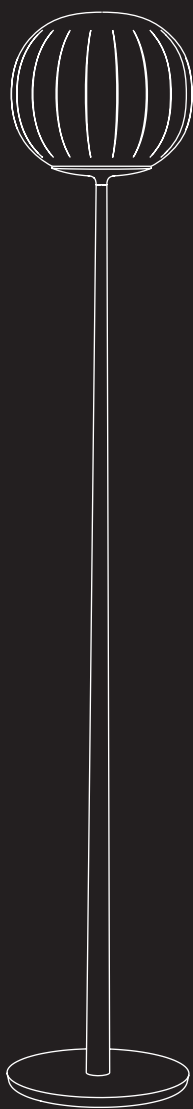


LITA

design David Dolcini



**LUCE
PLAN**

D92

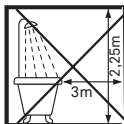


D92T30 - D92T42

01



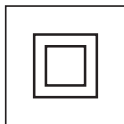
02



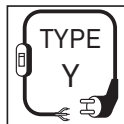
03



12



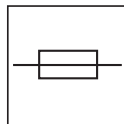
18



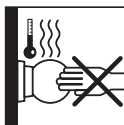
19



28



37



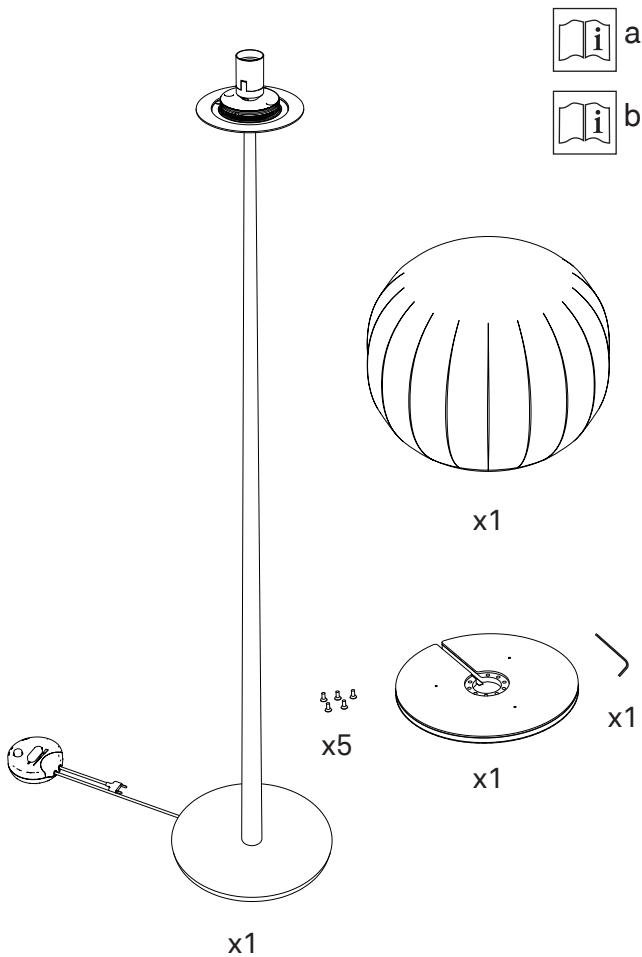
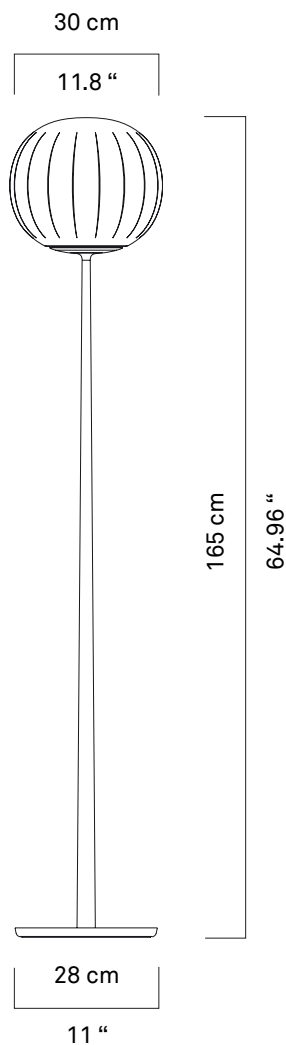
38



50



D92T30 + D92/3 - D92/5



kg 3,0 kg

lb 6.6 lb



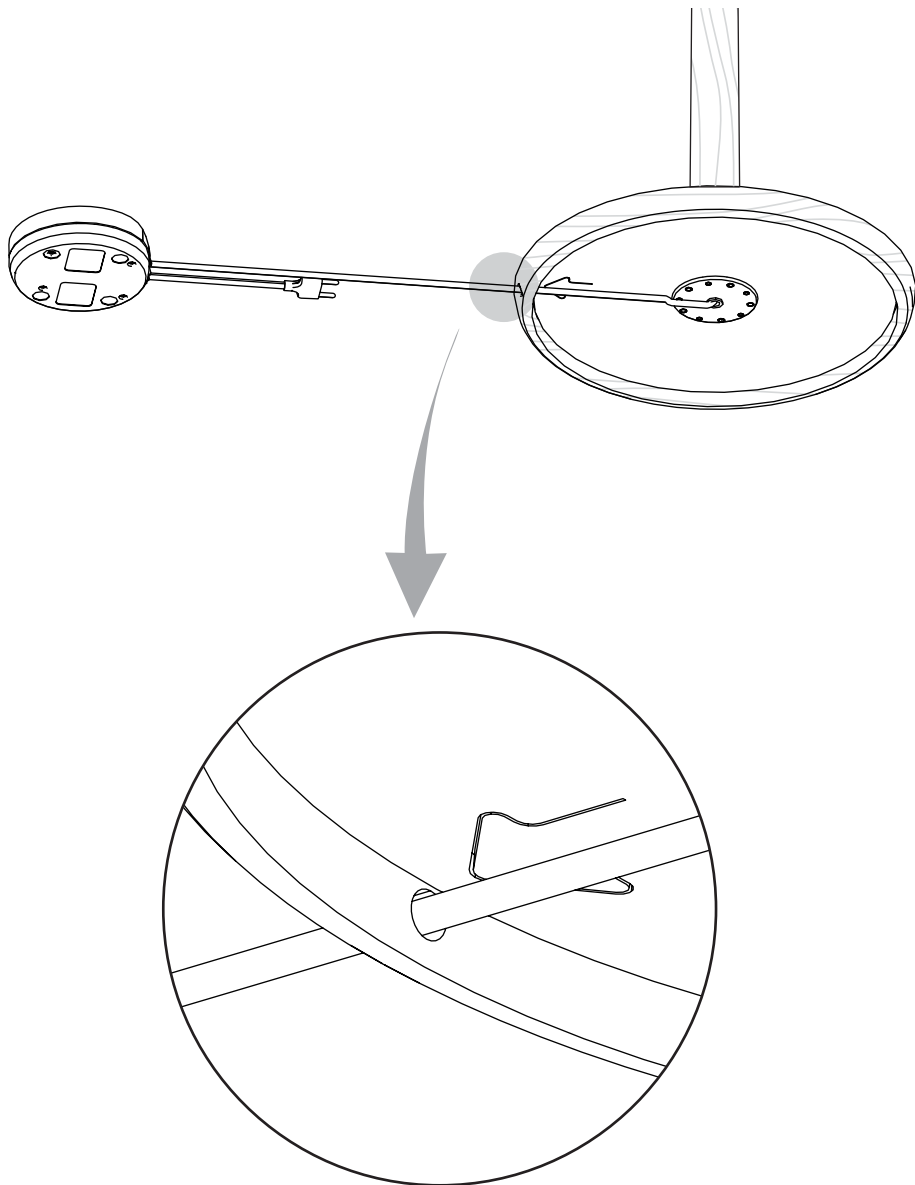
MIN
4W
LED
E27
MAX
16W
LED
E27



MIN
25W
E27
MAX
70W
E27

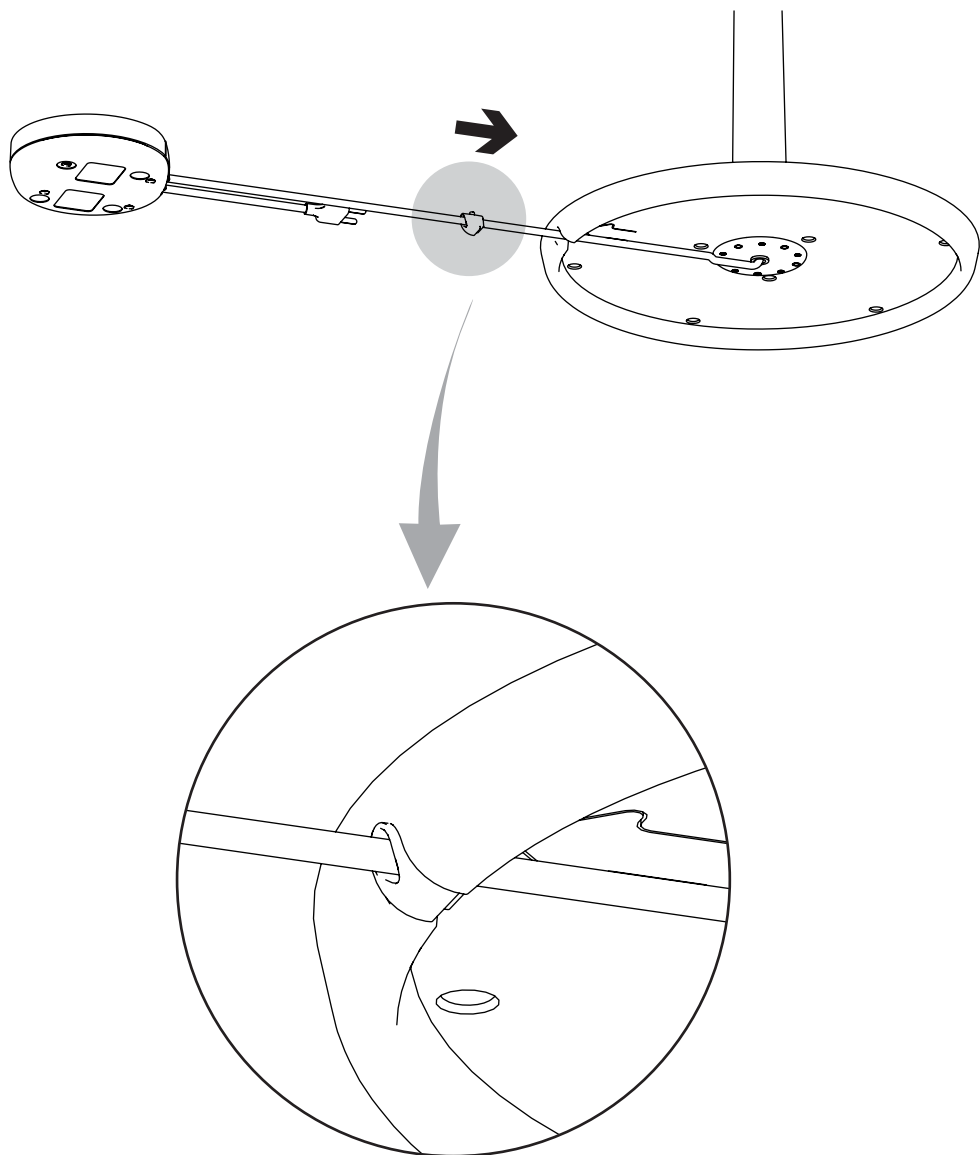
1

D92T30 + D92/5
D92T42 + D92/6

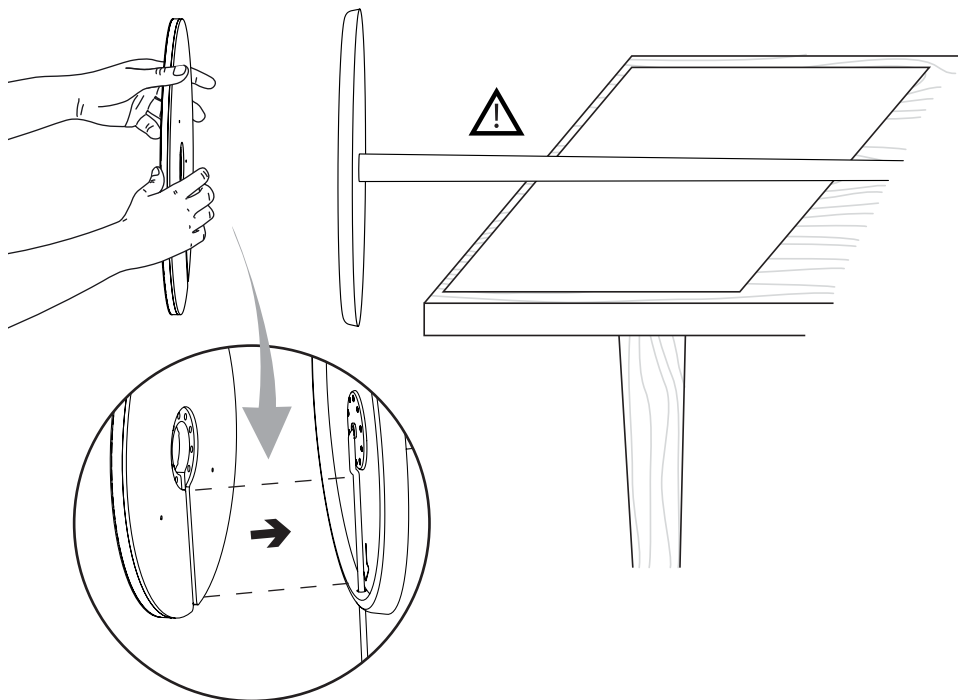


D92T30 + D92/5

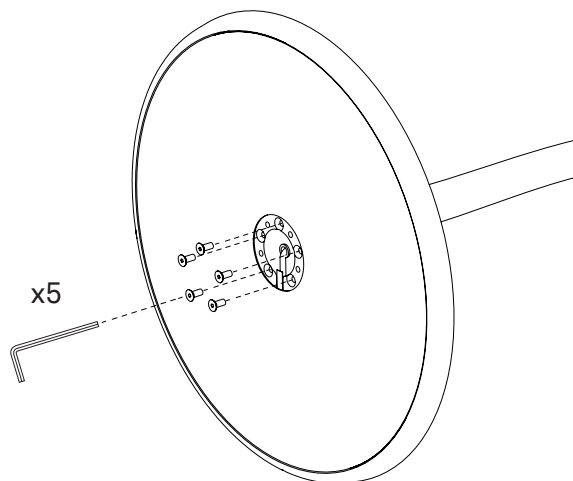
D92T42 + D92/6



1.1 D92T30 + D92/5 D92T42 + D92/6

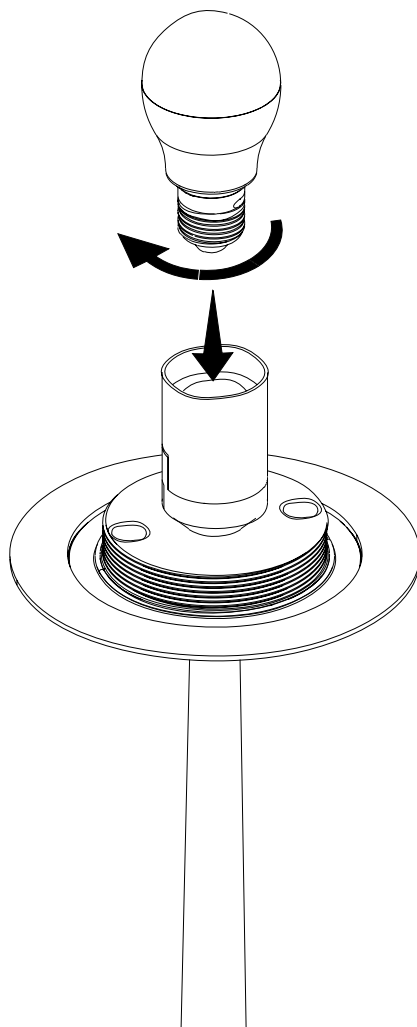


1.2 D92T30 + D92/5 D92T42 + D92/6



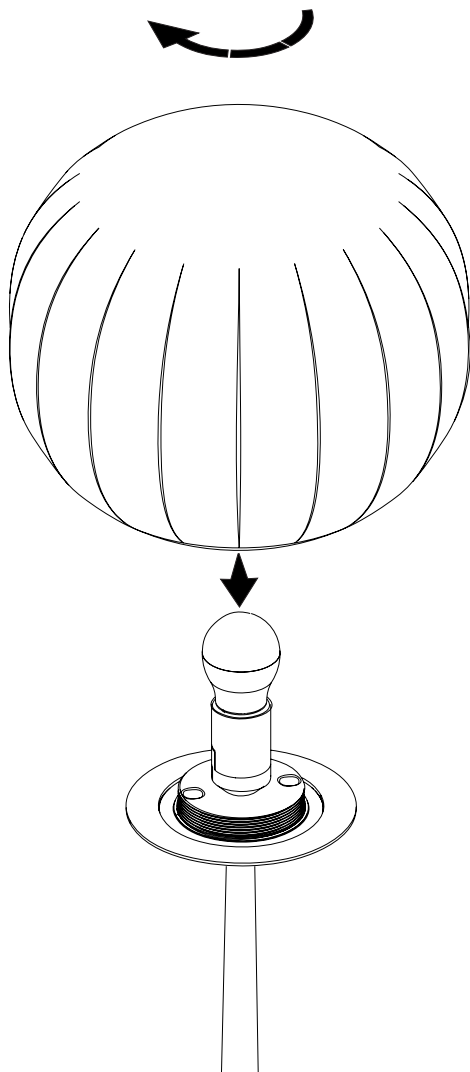
2

D92T30 - D92T42



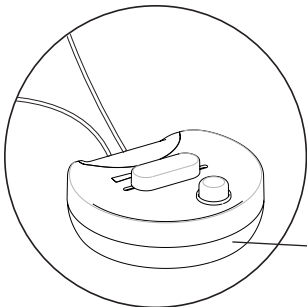
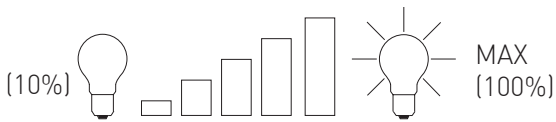
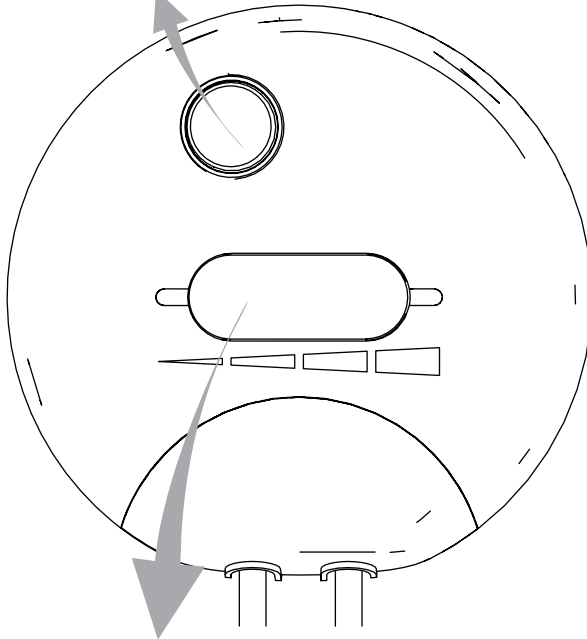
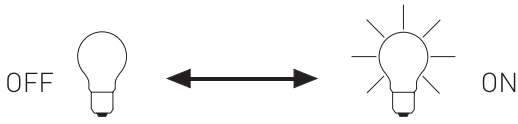
3

D92T30 - D92T42

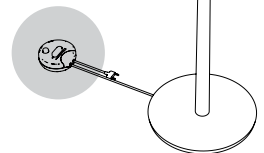
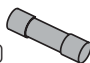




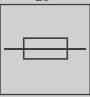
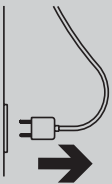
4

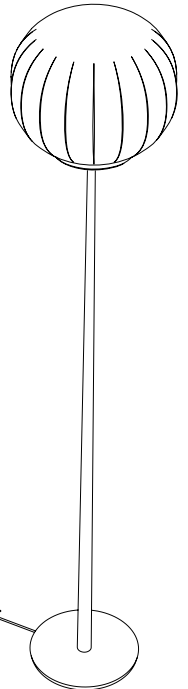
D92T30 - D92T42



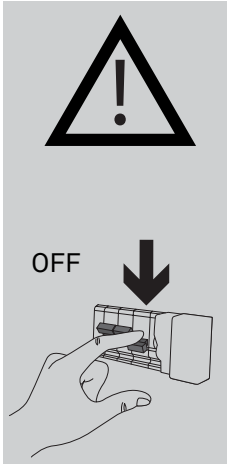
5x20
T 2,5A H 250V



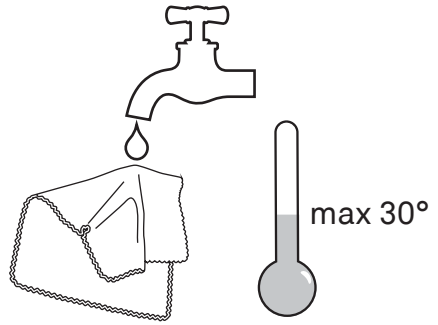


28





5



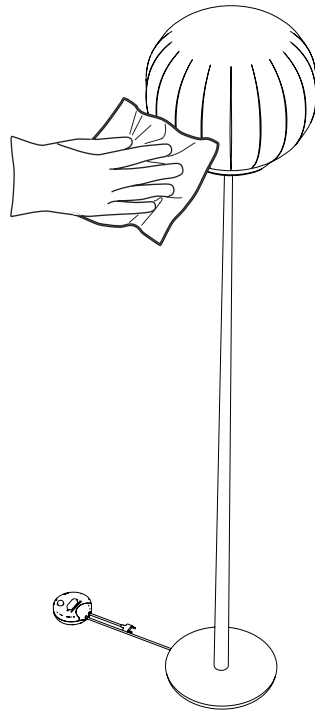
1.



2.



3.





www.luceplan.com

D9201B004