

KEPLER

Arihiro Miyake

Pendelleuchten in drei Größen erhältlich. (Kepler, Kepler Minor und Kepler Petite)

Die Struktur ist eine lackierte Aluminium-Extrusion, deren durchgehende Linie durch ein von Nemo entwickeltes dreidimensionales Bearbeitungsverfahren hergestellt wird, das auf dem geometrischen Prinzip des Möbius-Streifens basiert.

Erhältlich in "up" -Versionen mit nach oben gerichteter Lichtquelle und "down" -Versionen mit mattem Weiß-, Schwarz- und Goldanstrich.



DOWNLIGHT 2700K

LAMPING

| | |
|-------------------|--|
| Source | linear LED |
| Total power | 86W |
| Emission | diffused downlight |
| Switching | dimmable 1-10V |
| Tension | 110/240V |
| Color temperature | 2700K |
| Luminous flux | 4500lm |
| Typ CRI | 85 |
| Energy class | A+ |
| Materials | aluminium + PC |
| Notes | adjustable cable length from 2,5m to 0,4m, DALI version on request |
| Net lamp weight | 9 kg |

Codes

KEP LWW 54
KEP LNN 54
KEP LOW 54

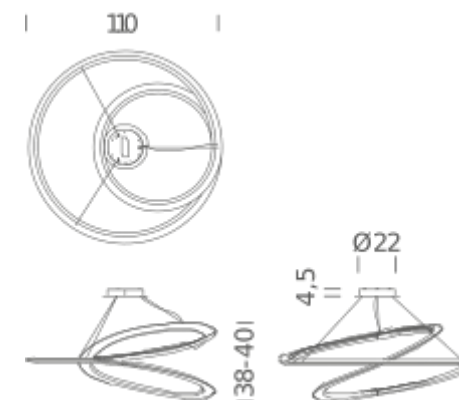
Structure

white
black
gold painted

PACKAGE

Package 01 Dimension: 121x121x52 cm / Gross weight: 19 kg

Certificazioni



DOWNLIGHT 3000K

LAMPING

| | |
|-------------------|--|
| Source | linear LED |
| Total power | 86W |
| Emission | diffused downlight |
| Switching | dimmable 1-10V |
| Tension | 110/240V |
| Color temperature | 3000K |
| Luminous flux | 4500lm |
| Typ CRI | 85 |
| Energy class | A+ |
| Materials | aluminium + PC |
| Notes | adjustable cable length from 2,5m to 0,4m, DALI version on request |
| Net lamp weight | 9 kg |

Codes

KEP LWW 52
KEP LNN 52
KEP LOW 52

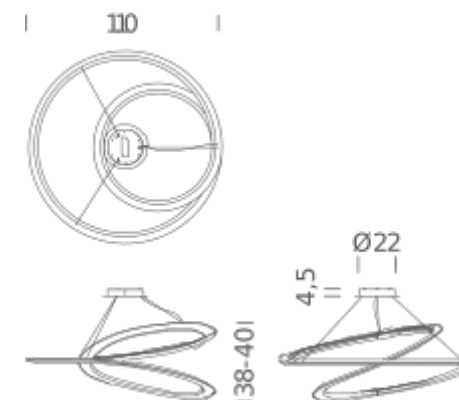
Structure

white
black
gold painted

PACKAGE

Package 01 Dimension: 121x121x52 cm / Gross weight: 19 kg

Certificazioni



UPLIGHT 2700K

LAMPING

| | |
|-------------------|--|
| Source | linear LED |
| Total power | 86W |
| Emission | diffused uplight |
| Switching | dimmable 1-10V |
| Tension | 110/240V |
| Color temperature | 2700K |
| Luminous flux | 4500lm |
| Typ CRI | 85 |
| Energy class | A+ |
| Materials | aluminium + PC |
| Notes | adjustable cable length from 2,5m to 0,4m, DALI version on request |
| Net lamp weight | 9 kg |

Codes

KEP LWW 53
KEP LNN 53
KEP LOW 53

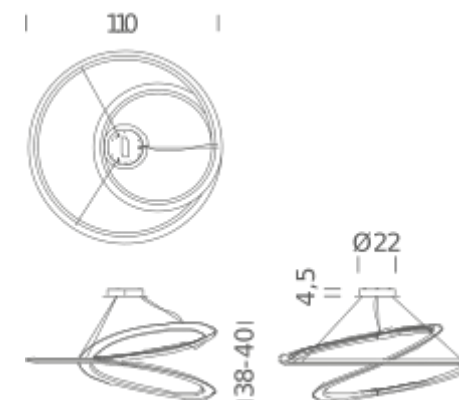
Structure

white
black
gold painted

PACKAGE

Package 01 Dimension: 121x121x52 cm / Gross weight: 19 kg

Certificazioni



UPLIGHT 3000K

LAMPING

| | |
|-------------------|--|
| Source | linear LED |
| Total power | 86W |
| Emission | diffused uplight |
| Switching | dimmable 1-10V |
| Tension | 110/240V |
| Color temperature | 3000K |
| Luminous flux | 4500lm |
| Typ CRI | 85 |
| Energy class | A+ |
| Materials | aluminium + PC |
| Notes | adjustable cable length from 2,5m to 0,4m, DALI version on request |
| Net lamp weight | 9 kg |

Codes

KEP LWW 51
KEP LNN 51
KEP LOW 51

Structure

white
black
gold painted

PACKAGE

Package 01 Dimension: 121x121x52 cm / Gross weight: 19 kg

Certificazioni

