



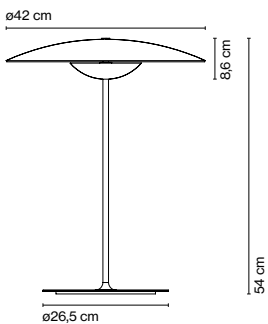
# Ginger

## Joan Gaspar

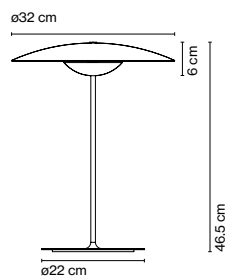
**marset**



**Ginger M**



**Ginger S**



**Ginger M**

LED SMD 13W 700mA  
2700K CRI90  
Luminaire 698lm  
Light Source 2130lm  
(included)

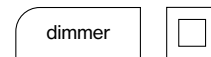
**Ginger S**

LED SMD 11W 700mA  
2700K CRI90  
Luminaire 350lm  
Light Source 1066lm  
(included)

- Oak
- Wenge

Black electrical cord

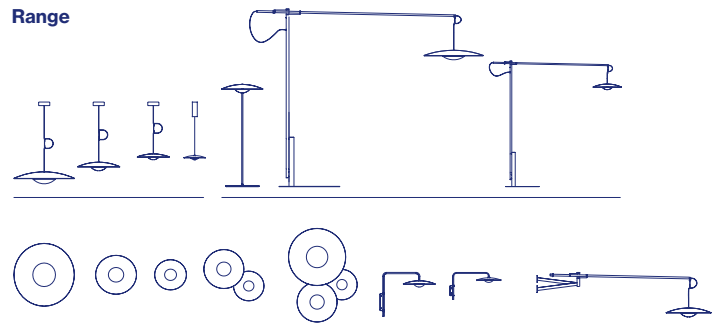
Diffuser and pressed wood base of 4 mm in natural oak or wenge. Injected aluminium dissipater and lacquered black matte metal stem.



- [Download](#) Assembly Instructions
- [Download](#) Photometric Data
- [Download](#) 2D
- [Download](#) 3D
- [Download](#) Energy label

Watch the video  
info@marset.com  
www.marset.com

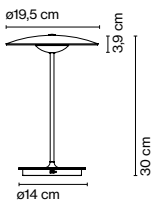
**Range**



Wood is a great ally of cozy lighting. It is a material that is hard to mold, a challenge that the Ginger collection neatly resolves. The combination of sheets of wood and paper pressed together under high pressure achieves a laminate that appears almost entirely flat.



**Ginger 20 M**



Watch the video  
[info@marset.com](mailto:info@marset.com)  
[www.marset.com](http://www.marset.com)

**Ginger 20 M**

LED SMD 5W 350mA 2700K  
 Light Source 478lm  
 (included)

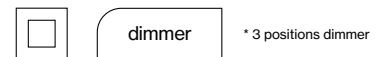
- Oak
- Wenge
- Brushed brass - Brushed brass
- Brushed brass - White

**Battery life**

5 hours in peak power  
 10 hours in half power  
 20 hours in a quarter power

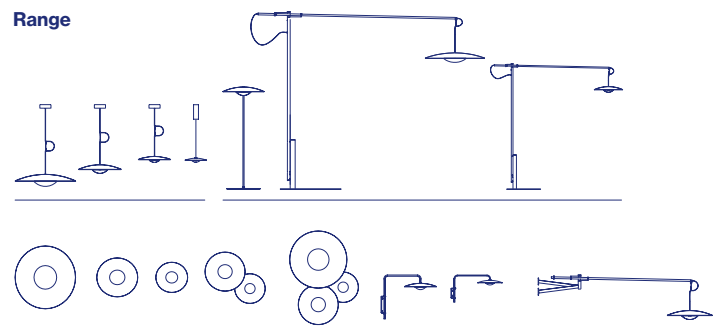
Battery charging time: 10h

Diffuser and pressed wood base of 4 mm in natural oak or wenge. Injected aluminium dissipater and lacquered black matte metal stem. Battery is located inside the base, with 5 hours of battery life at peak performance.



- [Download](#) Assembly Instructions
- [Download](#) Photometric Data
- [Download](#) 2D
- [Download](#) 3D
- [Download](#) Energy label

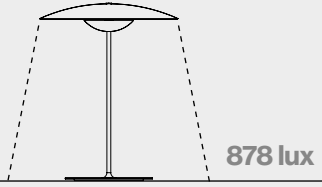
**Range**



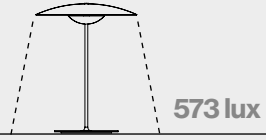
Wood is a great ally of cozy lighting. It is a material that is hard to mold, a challenge that the Ginger collection neatly resolves. The combination of sheets of wood and paper pressed together under high pressure achieves a laminate that appears almost entirely flat.

### How Ginger illuminates

**Ginger M**



**Ginger S**



**Ginger 20 M**

